

8. Fault elimination :

Fault	Fault cause	solution
Power-fail	<ol style="list-style-type: none"> 1、 The Leakage switch has not been electrified 2、 The control line between controller and electric box has not been connected properly 	<ol style="list-style-type: none"> 1、 Check if leakage switch indicating lamp has been extinguished. If yes, reconnect the power supply . 2、 Rreconnect the computer line properly.
Underwater light cannot be actived	<ol style="list-style-type: none"> 1、 The wiring for underwater lamp is loosen ; 2、 The bulb is damaged. 	<ol style="list-style-type: none"> 1、 Rreconnect the wire properly . 2、 Replace with new bulb .
Poor radio result	<ol style="list-style-type: none"> 1、 The antenna has not pulled out ; 2、 The radio-frequency has not been adjusted properly; 3、 The user is in weak signal area . 	<ol style="list-style-type: none"> 1、 pull out the antenna and place properly ; 2、 Readjust radio-frequency properly ; 3、 It is influenced by geographical position.
No sound from loud speaker	<ol style="list-style-type: none"> 1、 The volume is adjusted too low ; 2、 The adapter of loudspeaker has been loosen ; 3、 The loudspeaker is damaged . 	<ol style="list-style-type: none"> 1、 Increase the volume ; 2、 Rreconnect the wire properly ; 3、 Replace the loudspeaker .
Failure of remote control	The remote control has low Battery.	Replace the battery

9. Items For Attention :

- 1、 The system must be erected by qualified technical person and the leakage switch shall be mounted in place of easy control .
- 2、 It must be connected firmly during erection .In the case of loss due to improper earthling ,the manufacturer will not assume any responsibility .
- 3、 The motor must be erected flatly and stably and the shell shall be firmly earthed .
- 4、 The whole set is usually under standby state. If it is not used for long time, please pull off the master power switch.
- 5、 During erection, it is required to consider load capacity of power supply circuit, otherwise it may influence the normal working of the system or cause accident.
- 6、 During erection, all the electric appliances and electric parts shall be provided with moisture resistant measures.

User's Guide

IMPORTANT:

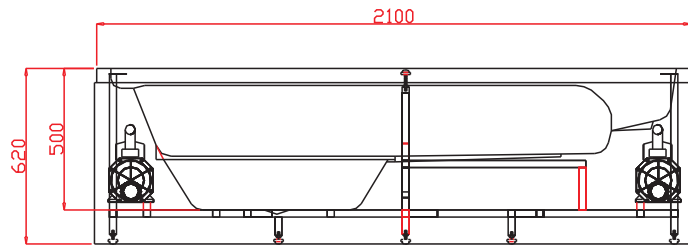
Read this manual before proceeding with installation of the bathtub and keep it with the other accompanying documents.
This manual is valid for the installation of tubs both with and without whirlpool.

MODEL:M-1308

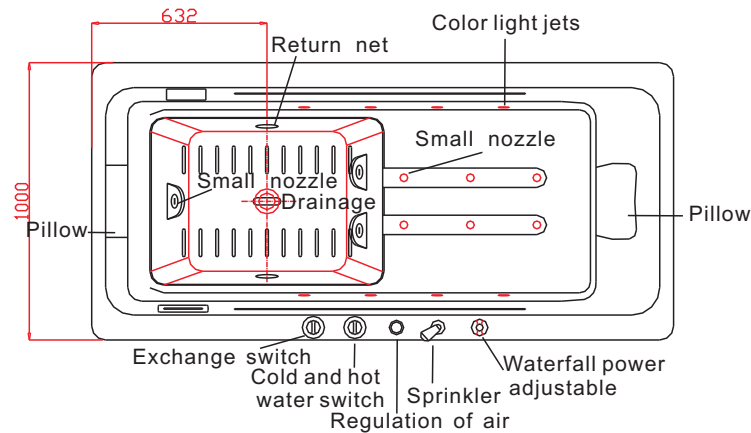
SIZE:2100X1000X620mm



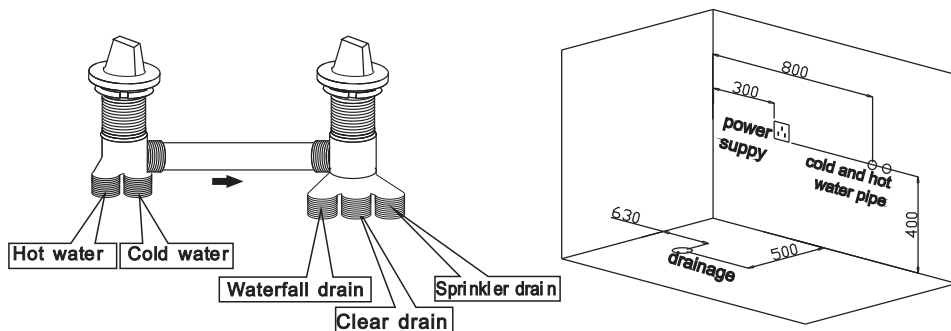
Install the diagram




Plane chart



Tap takes over sketch



4、 Radio function:

- (1) Pull out the radio antenna and place in "Y" form .When turn on radio function , the screen will appear radio frequency and the volume will rise from -0- to -15- DB with slight sound for loudspeaker.
 - (2) Searching channel : "MEM" will flicker when you long press (**SET**) 2 seconds, then pressing (**SET**) again turn to tuned state , "TUN" will flicker at the same time .You can press (Δ) or (∇) for upward or downward to select broadcasting station .Short pressing is for manual selection . Long press (more than 3 seconds) the frequency will move upward or downward automatically until the broadcasting station is received .
 - (3) Memory : After selecting the broadcasting station ,press" **OK** " to display "M — 01" and store to this number .Then when store the broadcasting station next time ,the store number will increase by degrees automatically. The store number is between M — 0 1 to M — 20.
 - (4) Automatic selection: Long press" **OK** " more than 3 seconds , the screen will display "TUN" ,at the same time the frequency will move upward or downward automatically and the effective channels will be saved ,until finish the searching or the memory is full .
 - (5) Pick up the memory : long press " **SET** " more than 2 seconds ,when it display "MEM" ,you can press " Δ " or " ∇ " for selection of the position of desired station .the screen will display the number "C H01— C H20 " thus you can hear the sounds .
- 5、 Volume adjustment: The volume can be adjusted by press" Δ " or " ∇ ",and the screen will display volume DB number accordingly .
 - 6、 Automatic keyboard locking: If no action on the keyboard for 2 minutes , the screen will shows lock and "  " icon which means the keyboard is loaded automatically ,and press " **OK** " can be unlocked .

(3) heating function (Configuration Options) :

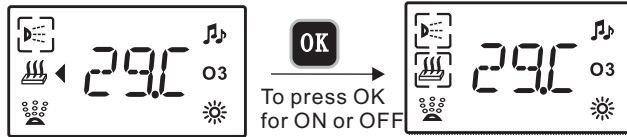
Press “**SET**” to select the heating icon ,as shown to the right:



Notice : only under the surfing function on ,the heating function can be launched ,and control by the preset temperature .
Only under the radio/AUX function off ,the preset temperature can be changed by pressing () or () within 20°C--45°C(default 38°C). When the water temperature reach to the preset temperature ,it will turn into constant temperature .

(4) Waterfall function :

Press “**SET**” to select the waterfall icon ,as shown to the right :



Notice : It will be turned off automatically every 60minutes .

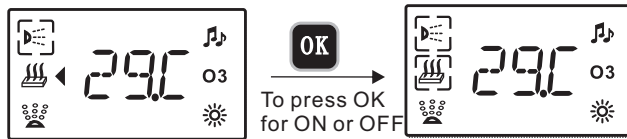
(5) Lamp function :

Press “**SET**” to select the lamp icon ,as shown to the right :



(6) Ozone function :

Press “**SET**” to select the ozone icon ,as shown to the right :



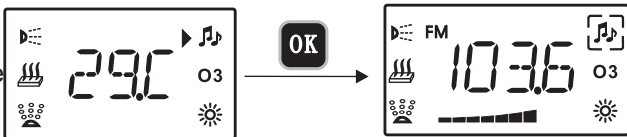
Notice : the work timing is 15 minutes .

(7) Drainage function after power off:

Ensure that the main power supply is not cut-off.after turning off the control panel, the drainage magnetic valve will automaticly startup and shut-off after 30 minutes.

2. Radio function:

Press “**SET**” to select the ,as shown to the right :



3.Aux:

In the state of radio , press “**SET**” to select the ,as shown to the right :



(short pressing can be turned off .)

1、Electricity parameter

Rated voltage	Rated power	Rated electric current	Reference circuit voltage
220VAC	1500W	<4A	12V

2、Electric installation

- power supply's establishment should be complied with nation security standard, voltage and frequency also shoule be accord withproduct's nameplate.Especially install creep-age protect switch and also check whether can connect with ground.
- The wire collected to the massage bathtub should be fitting permanent., and the wire should be a three-core wire, the sectional acreage of each core cannot less than 12A. when wire pass the wall,it should be use bushing for protection until the AC outlet.
- Ground wire of bathtub should be test whether works with house appliance ground wire.
- The wire end of electricity control box should connect to the control panel, water bottom light, loudspeaker, electrical engineering and the detector protection respectively.

3、Water supply device

- This device's hydraulic pressure is 0.2-0.4Mpa.
- The water supply characteristics on the wall: The cold or hot water supplies inside the bathroom also establish in the shelter of the massage tub, use the hose to connect with the cold or hot joint of the tub. the pipe towards is decide by the customer, the machine do not go with the hose.

4、Installation introduction

- Before install, must consider the place of install massage bathtub whether can support this device's pressure.
- Place the massage bathtub on the install position, adjust level to make the drain system smooth.
- Adjust the leg's screw to make sure all of the screw touch ground completely.
- Install the drain hose, and make some measure to against on the connector.
- Fix cold and hot water-pipe well, then install the showerhead. And then put drain into downcomer, finally connect with power and make sure whether device connected with ground can work.

5、Using Method

- Turn on faucet, adjust water's temperature, add water to the massage bathtub.when the highest water level exceed the highest nozzle about 20-30mm and reach the detector, press the switch button to let the electric machine.
- Revolve the adjust switch ,and choose the proper surf pressure.
- After finishing if should turn off pump at first, then open drain button,when water is all out , please make a clean of bathtub to keep in good.

6、Clean and keep in good condition

- usually use soft cloths and general liquid cleanser can wash away dirt , but forbid to use the cleanser with acetone or the ammon ia composition;when disinfect, forbid to use the disinfecter contained the formal dehyde.
- the dirty spot of surface can use the toothpaste to wipe with the soft cloth .
- to the low-grade chafe of the surface or burned by cigarette, can soak in water to whet with 2000# levigation sand paper, then polishing.
- If the electroplate piece contain stain, use the soft cloth to wipe lightly, avoid to wiping with coarse cloth.
- often clean up the backwater net cover, prevent it from stop;
- Check whether have break on pipe and waterway aperiodically.

- 6.7 Please check whether there is fall off or breakage on wire, switch, connector plugs so that repair in time.
- 6.8 In order to keep to use in a long term ,please remember, don't use more than 3 hours continually.

7、Fault eliminate

Fault	Cause	Way
Machine or equipment doesn't work	Voltage unstable	Check circuitry
	Power connector didn't connect well or open circuit	Insert again or change power line
	The windpipe connect air switch fall off or break	Connect again or change
	The air switch failure	Change
Big nose of machine	Power's parameter is not same as nameplate	Connect with supplier
	Fixed screw did'n fix or fall off	Fix tightly again
	Support's leg screw did not touch ground	Adjust
water pipe leak out	Aging	Change
	The joint did not fix well	Fix again
	Water pipe or accessory leak	Change

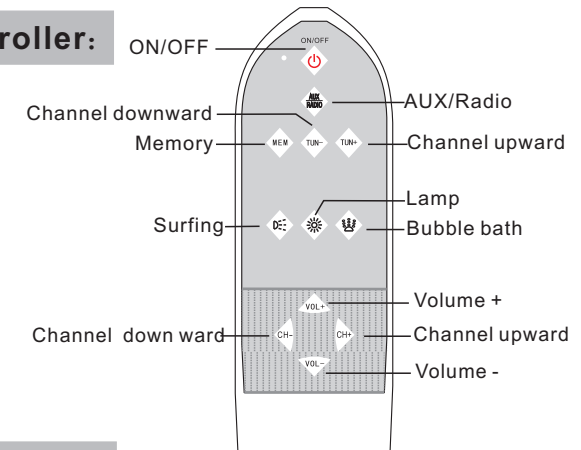
Remark: except this fault, please according to situation to resolve, or find experienced people to repair.

8、special remind

- 8.1 please find qualified people to install bathtub according to introduction.
- 8.2 when you are using it, first of all you have to inject the cold water and then inject the hot water. Don't inject the hot water first.
- 8.3 bathtub's machine must connect on ground, support must use 1.5mm² yellow/green double wire connect with ground and check whether effective.
- 8.4 please do not turn on machine without water, before draining should turn off machine.
- 8.5 children should be looked after in bathtub.
- 8.6 bathtub's temperature can't higher than people average temperature, and the best is 32-37centigrade.
- 8.7 after shower ,please cut off power.
- 8.8 if have these situation ,please do not enter into massage bathtub.
 - 8.8.1 younger than 4 years old's child;
 - 8.8.2 blood circulation unstabled people;
 - 8.8.3 sot;
 - 8.8.4 suffer from flu;
 - 8.8.5 heart disease;
 - 8.8.6 already have sauna;
 - 8.8.7 after meal in half a hour;

Remark: our company has the right to modify the above mention without further notice.



6.Remote controller:



Model:GD-370

7.Operating instruction:

1. Surfing part :

- (1) Power on/off : insert the plug ,press "  " to switch on the power .The screen will show (SPA) ,if there is heating function 's model ,it will show the temperature of water .You can perform setting and operation of various function according to the requirement of users .The system can be directly switch off by pressing "  " .



No heating and ozone function




Heating function's model :
Long shows is the actual temperature
The flicker is the preset temperature

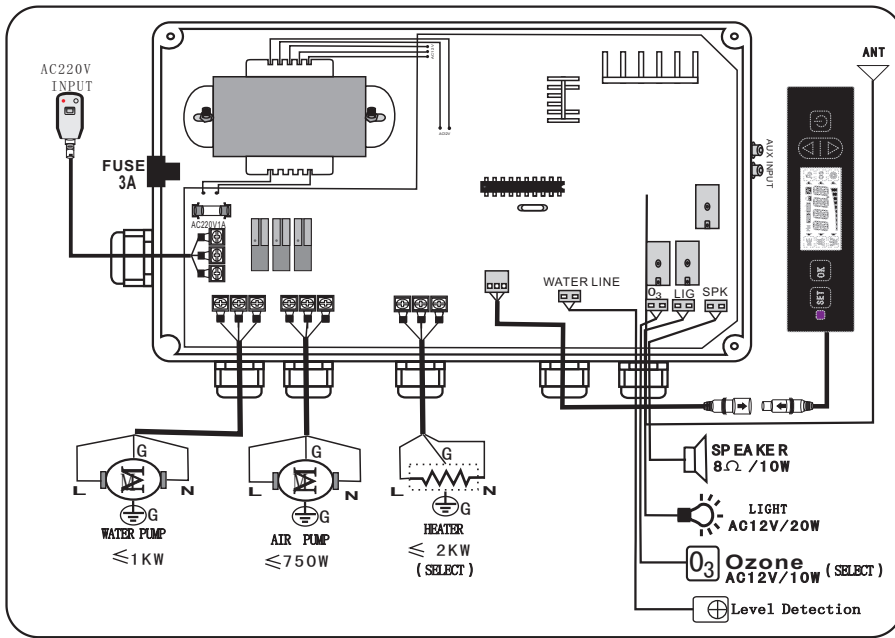
(2) Surfing function :

- Press "  " to select the pump icon ,as shown to the right :

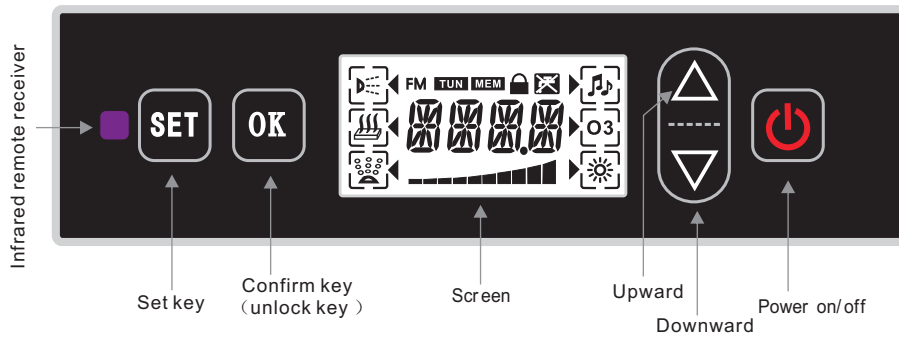


Notice : The water pump is limited by water level ,it only be launched under the condition of water level .If short of water ,the "  "the will flicker ,water pump can not start .The pump will be turned off every time it worked 60 minutes .

4.Circuit diagram:



5.Panel description:



Bathtub User's Guide

WARNINGS

1. Please follow the instruction contained in the attached installation manual to ensure that the product is installed properly. the manufacturer will not be held liable for damages or injuries caused by improper installation.
2. Follow the instructions contained in this manual when using the product.
3. Before using the bathtub, check the local voltage that if reach to the rated voltage(pre-installation card).

CONTENTS

- Features
- Specifications
- Install sketch
- Circuit diagram
- Panel descriptio
- Remote controller
- Operating instruction
- Fault elimination
- Items For Attention

1.Features :

Using luxurious blue mini dynamic LCD, every function has matching English annotation in order to operate it more easier.

- (1)、 Automatic testing water level by microcomputer.
- (2)、 Surfing function .
- (3)、 Waterfall massage function.
- (4)、 hypersensitized FM radio system: 20 channel memories , electronic volume adjustment 、 digital frequency modulation、 automatically scanning
- (5)、 Ozone sterilization function (Configuration Options)
- (6)、 CD input function .
- (7)、 Underwater light .
- (8)、 Almighty remote controller
- (9)、 Touch Ttechnology function .
- (10)、 External thermostat function (Configuration Options)

2.Specifications:

- (1)、 Power supply : AC220V±10% 50/60Hz
- (2)、 Pump load1:AC220V 750W
- (3)、 Pump load2:AC220V 750W
- (4)、 Dielectric strength : 1500V 1min
- (5)、 Leak current : <0.25mA
- (6)、 Waterproof grade : IPX4
- (7)、 Ozone load : AC12V≤10W(Configuration Options)
- (8)、 Lighting load : AC12V 20W
- (9)、 Music power : ≤ 10 W
- (10)、 Frequency range : FM 88-108MHz
- (11)、 S/N radio : >45dB
- (12)、 Heater power : AC220V≤ 1500W(Configuration Options)

3.Install sketch:

