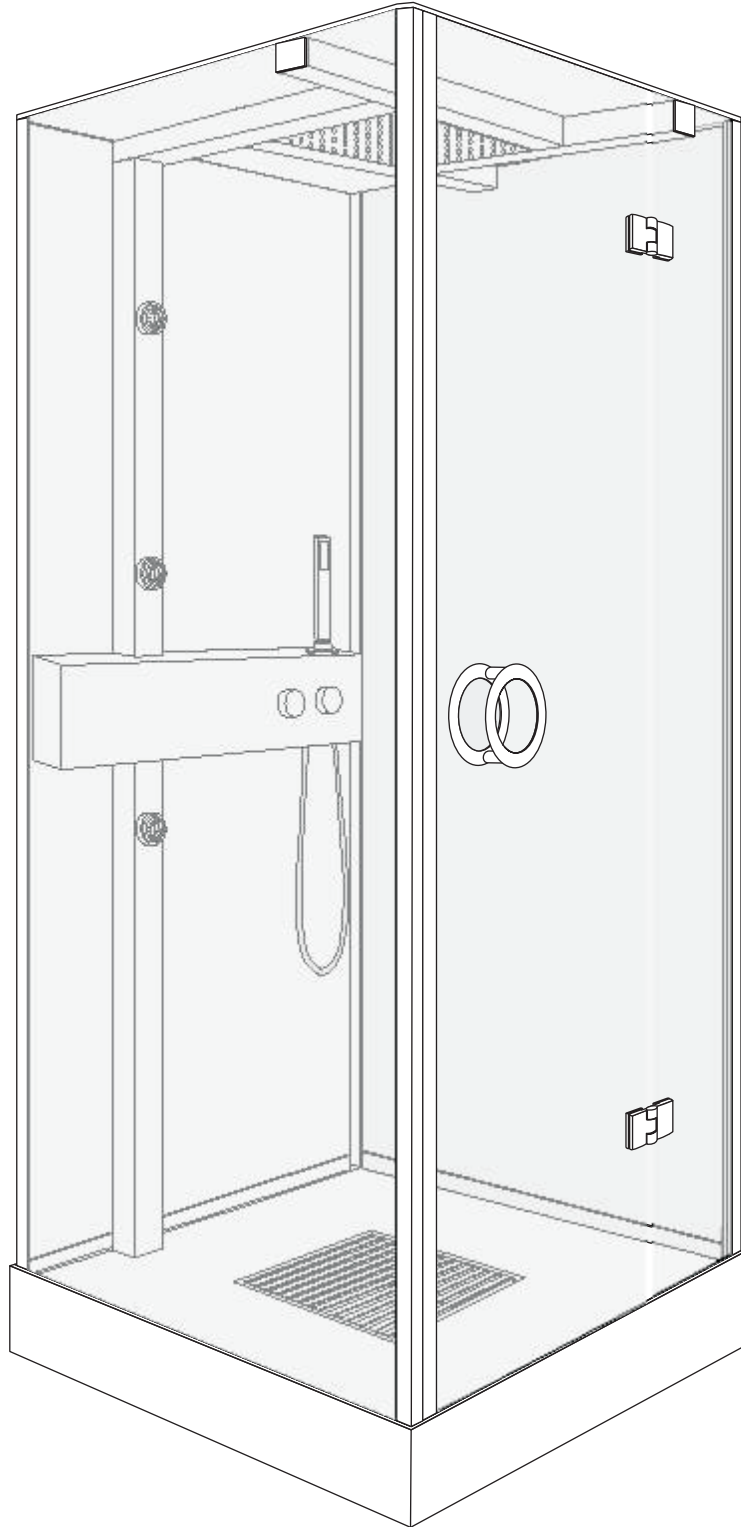


# S-9701

## Installation Instructions



SIZE : 90x90x220cm 100x80x220cm 100x100x220cm

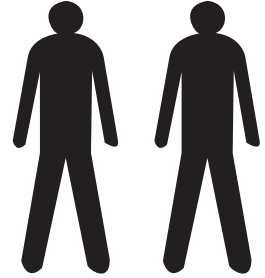
# S-9701

## Installation Instructions

### TOOLS REQUIRED (NOT SUPPLIED)

when you're ready to start, make sure that you have the following tools to hand, plenty of space and a clean dry area for assembly.

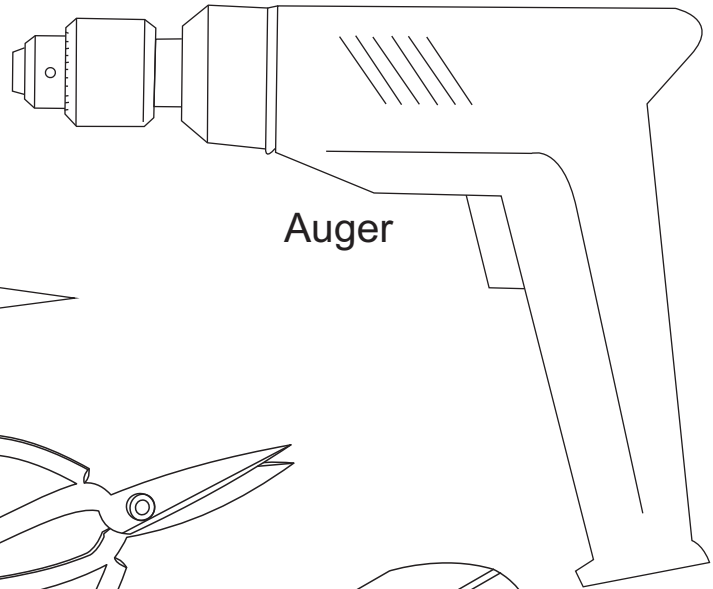
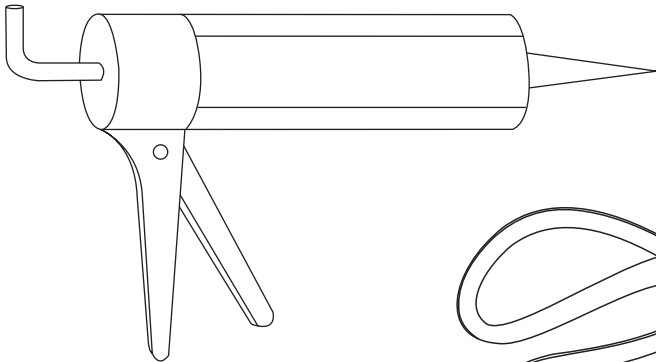
Two people are needed. Please note: although these instructions are comprehensive, we always recommend that a technically competent installer should undertake installation.



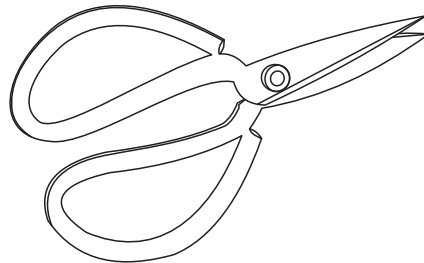
Drill beat head  
Ø 6mm



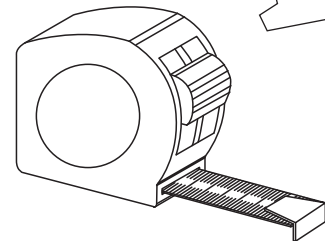
Sanitary Silicone



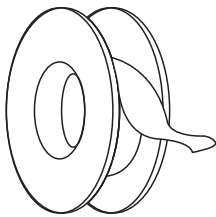
Auger



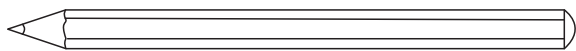
Forfex



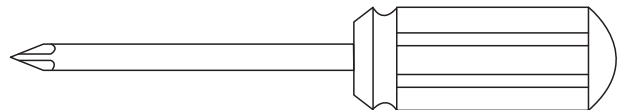
Tape measure



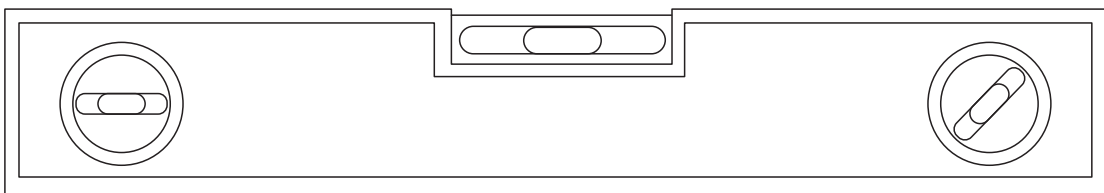
PTFE tape



Pencil



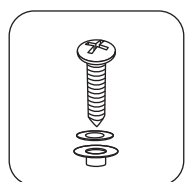
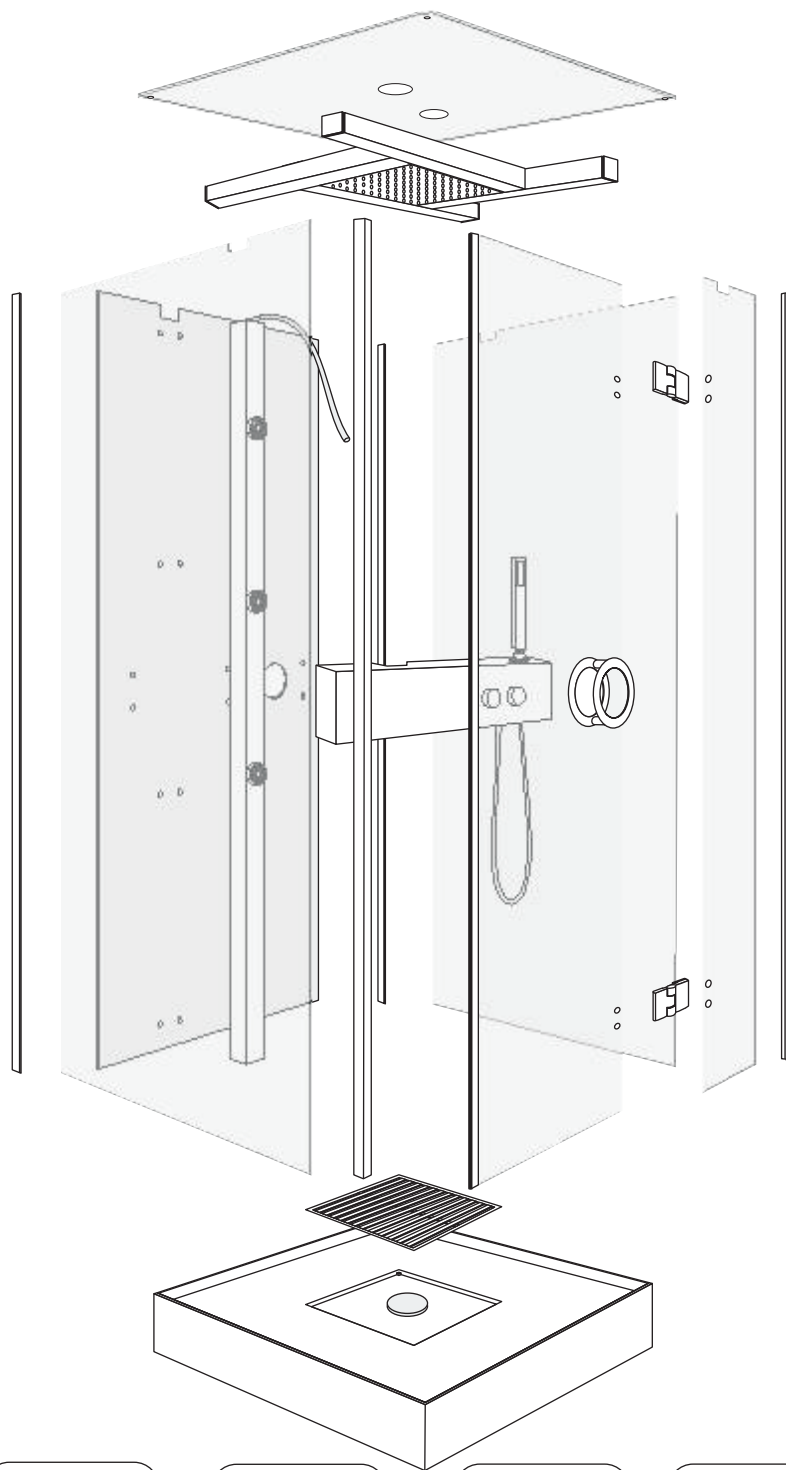
Magnetic crosshead schrewdriver



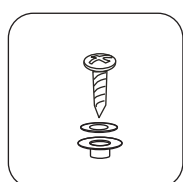
Level

# S-9701

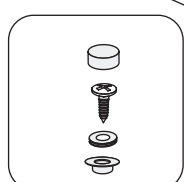
## Installation Instructions



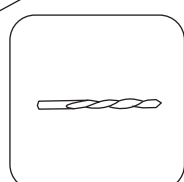
5x25mm  
14pcs



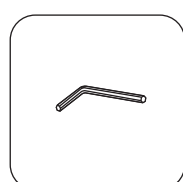
4x25mm  
4pcs



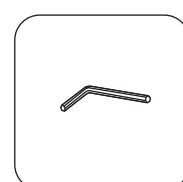
4x20mm  
11pcs



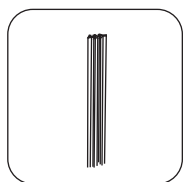
3mm  
1pcs



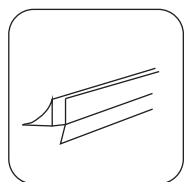
2.5mm  
1pcs



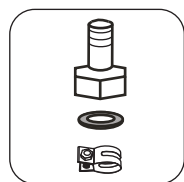
4mm  
1pcs



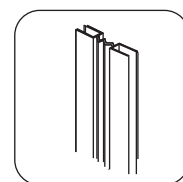
7pcs



1pcs



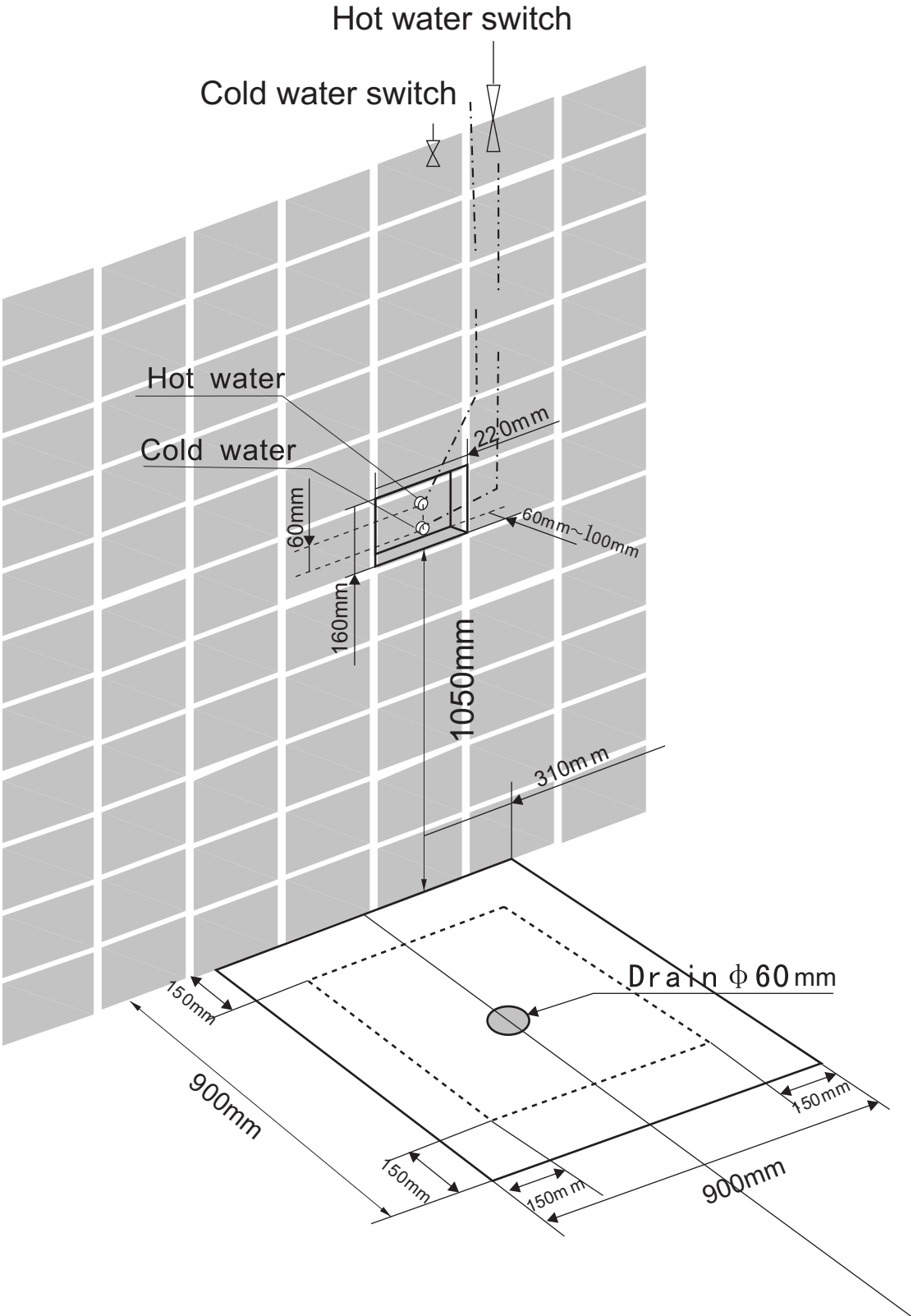
1pcs



1pcs

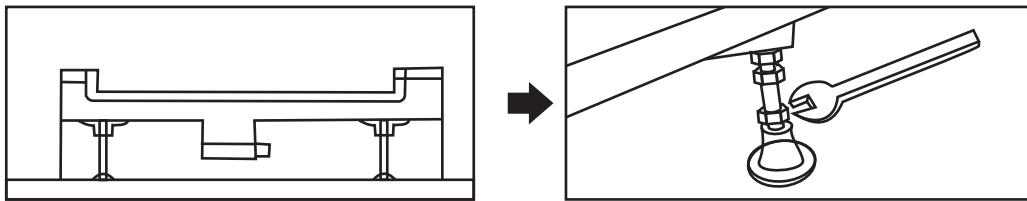
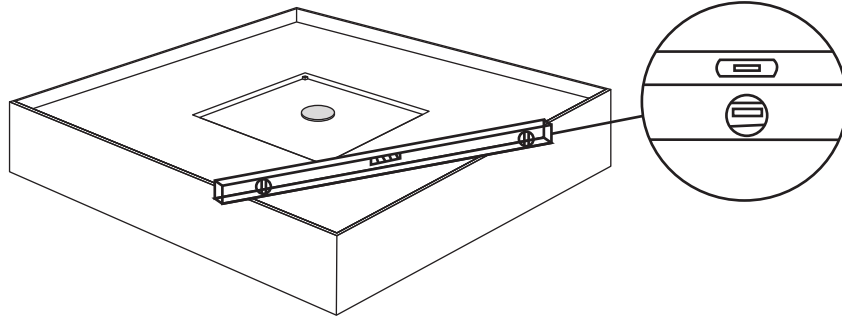
# S-9701

## Installation Instructions

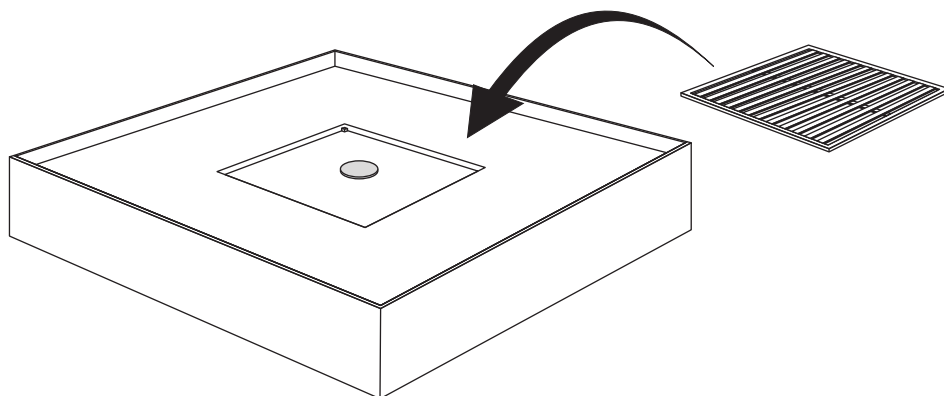


# S-9701

## Installation Instructions

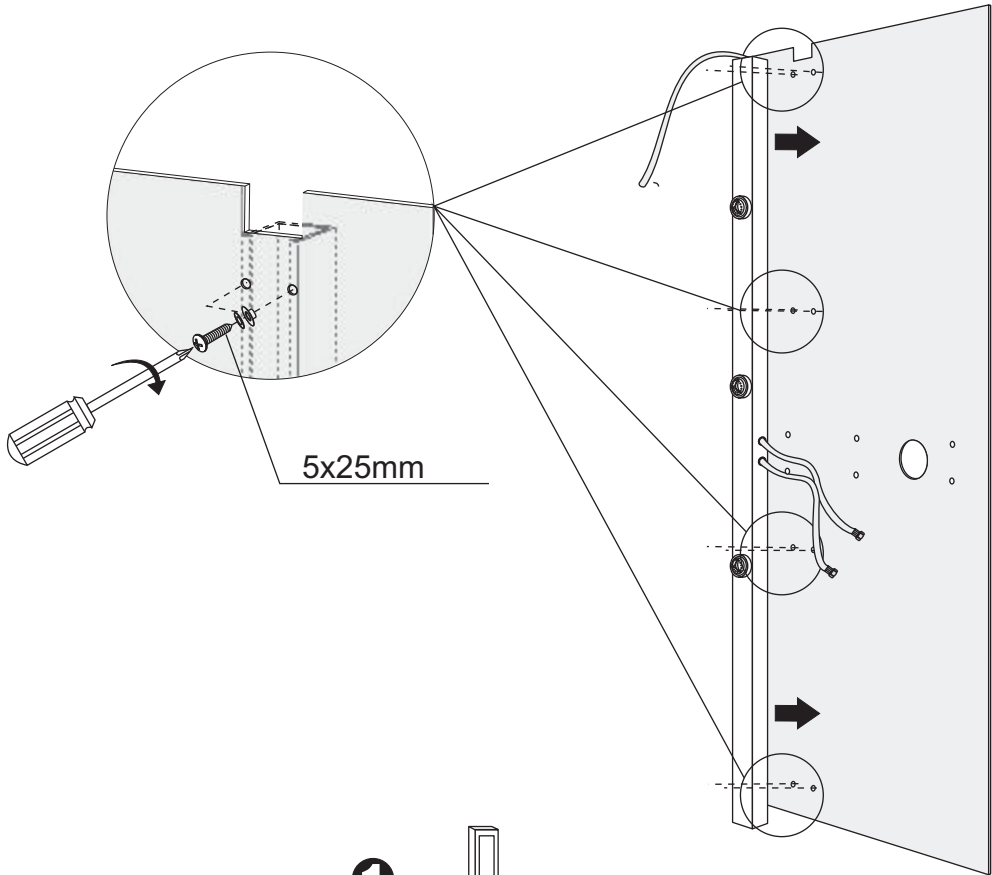


Lift the rear part of bottom basin, and then insert one end of the pipe into the drainage hole

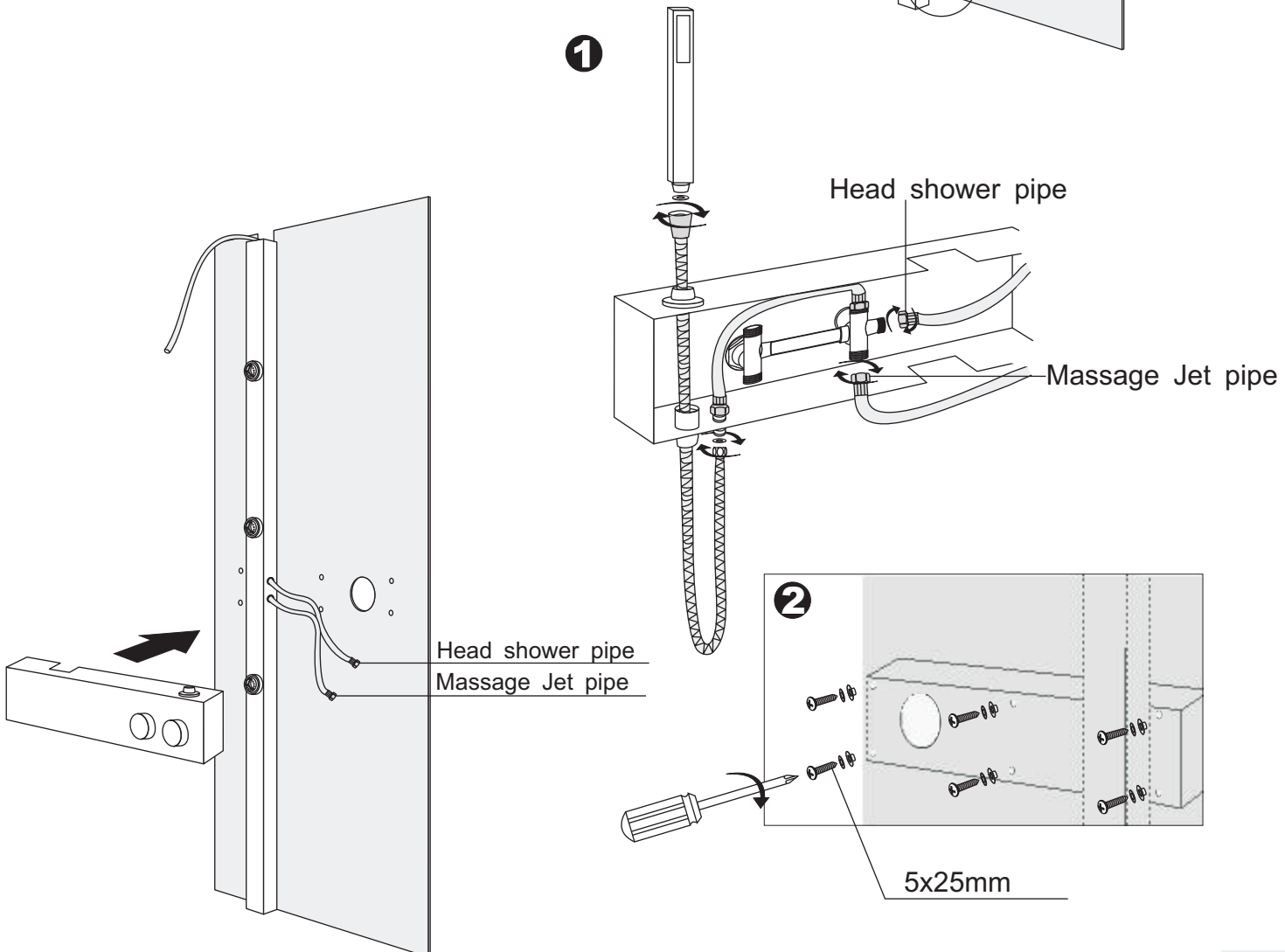


# S-9701

## Installation Instructions

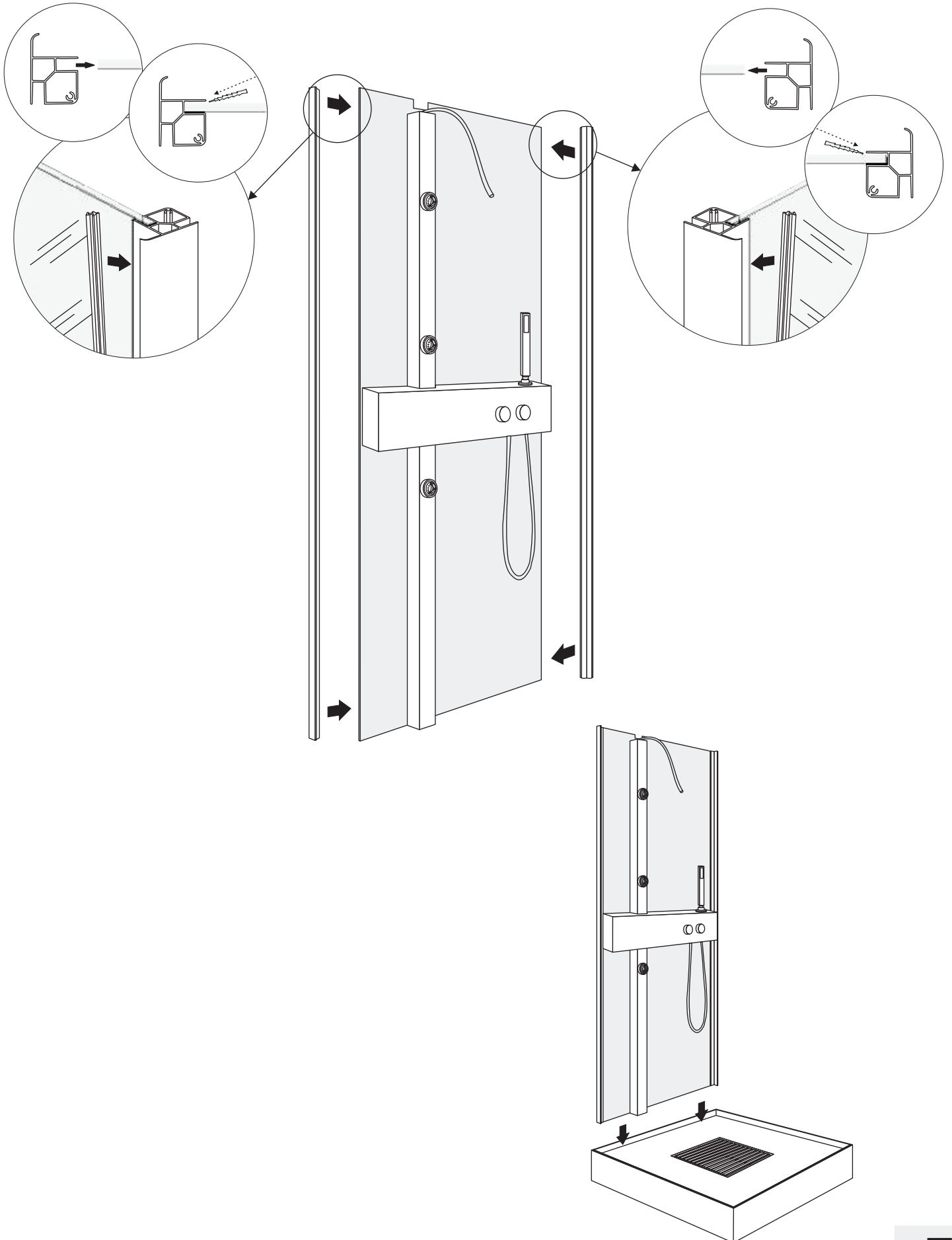


**1**



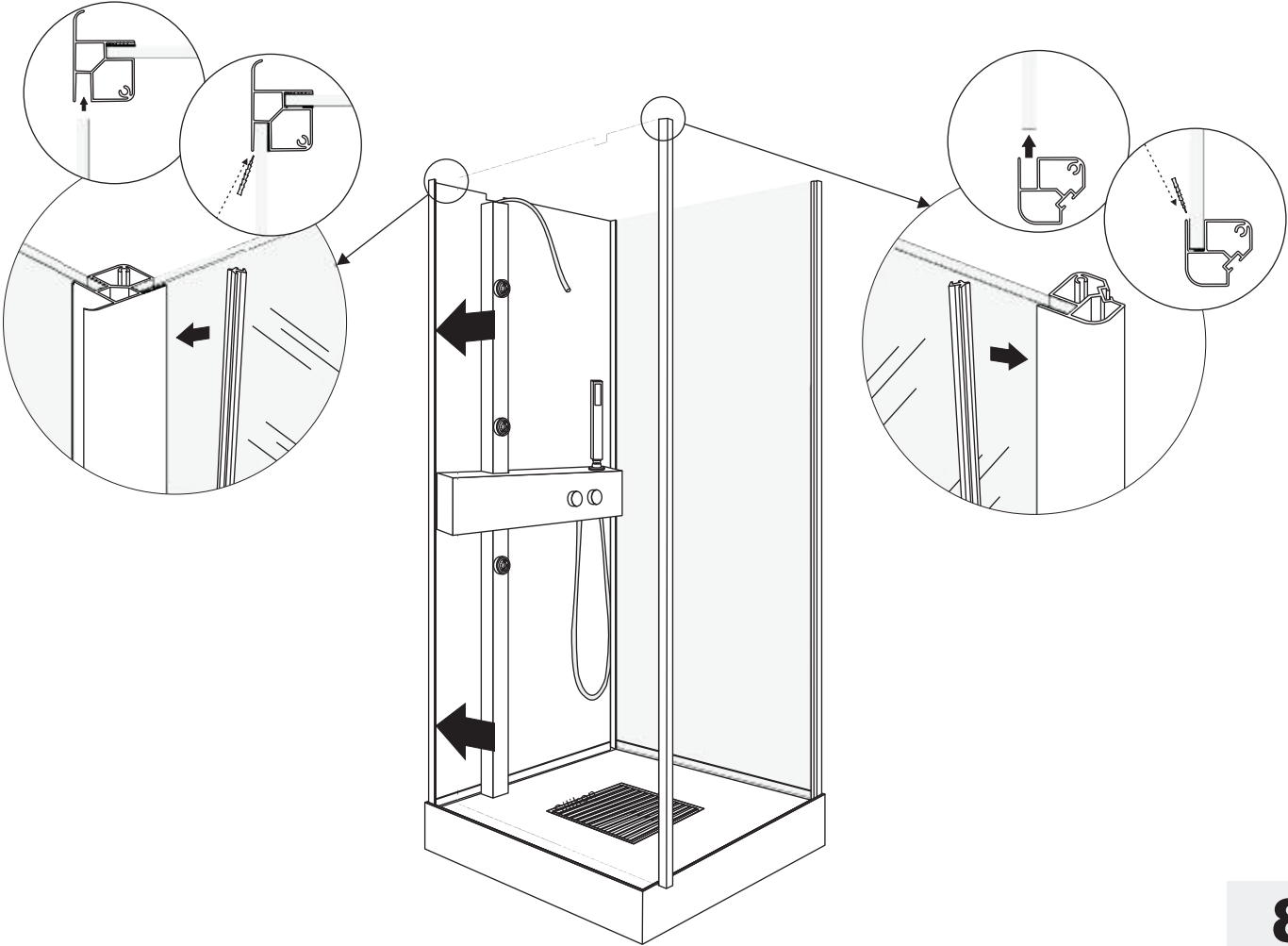
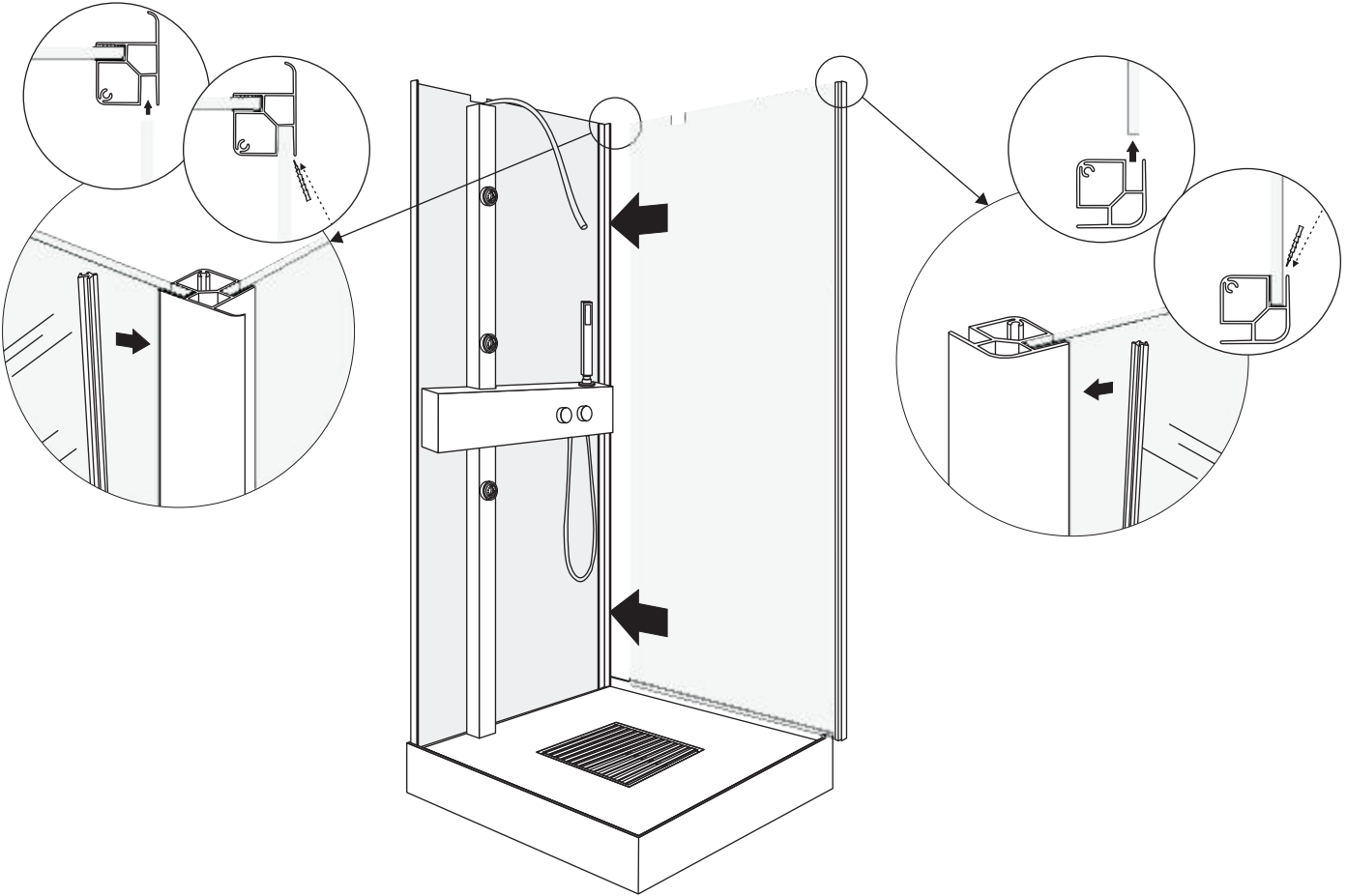
# S-9701

## Installation Instructions



# S-9701

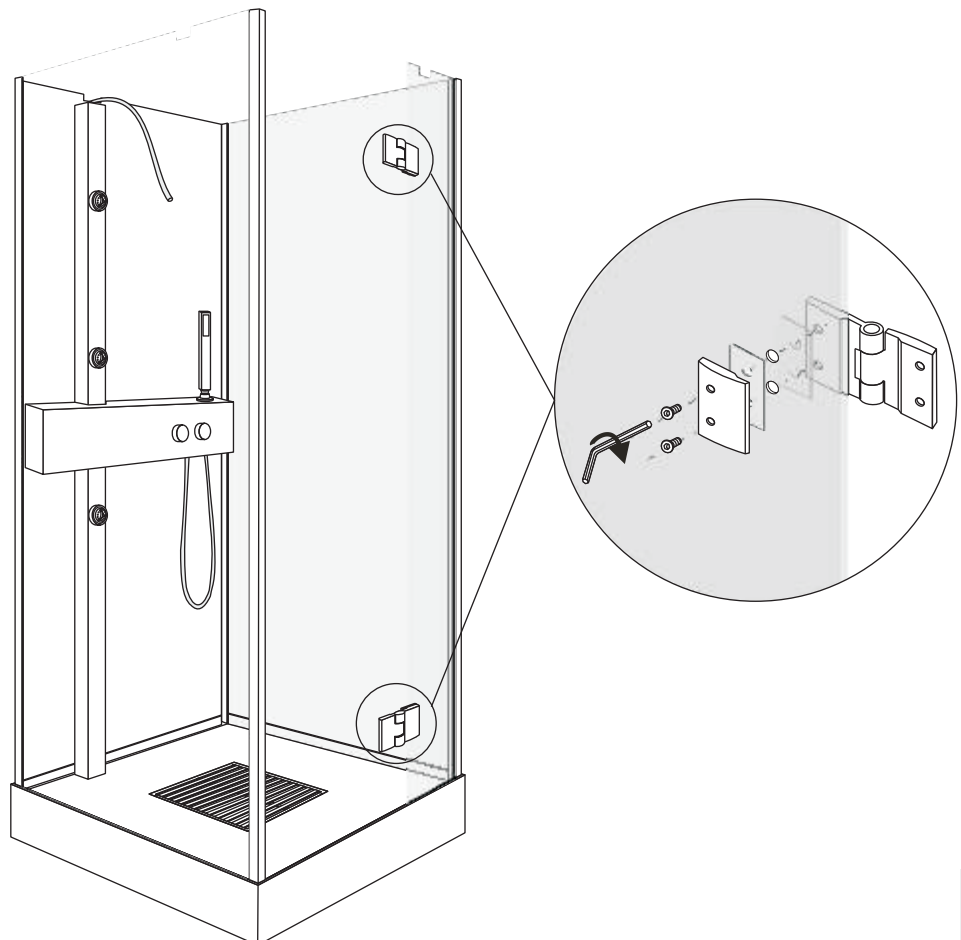
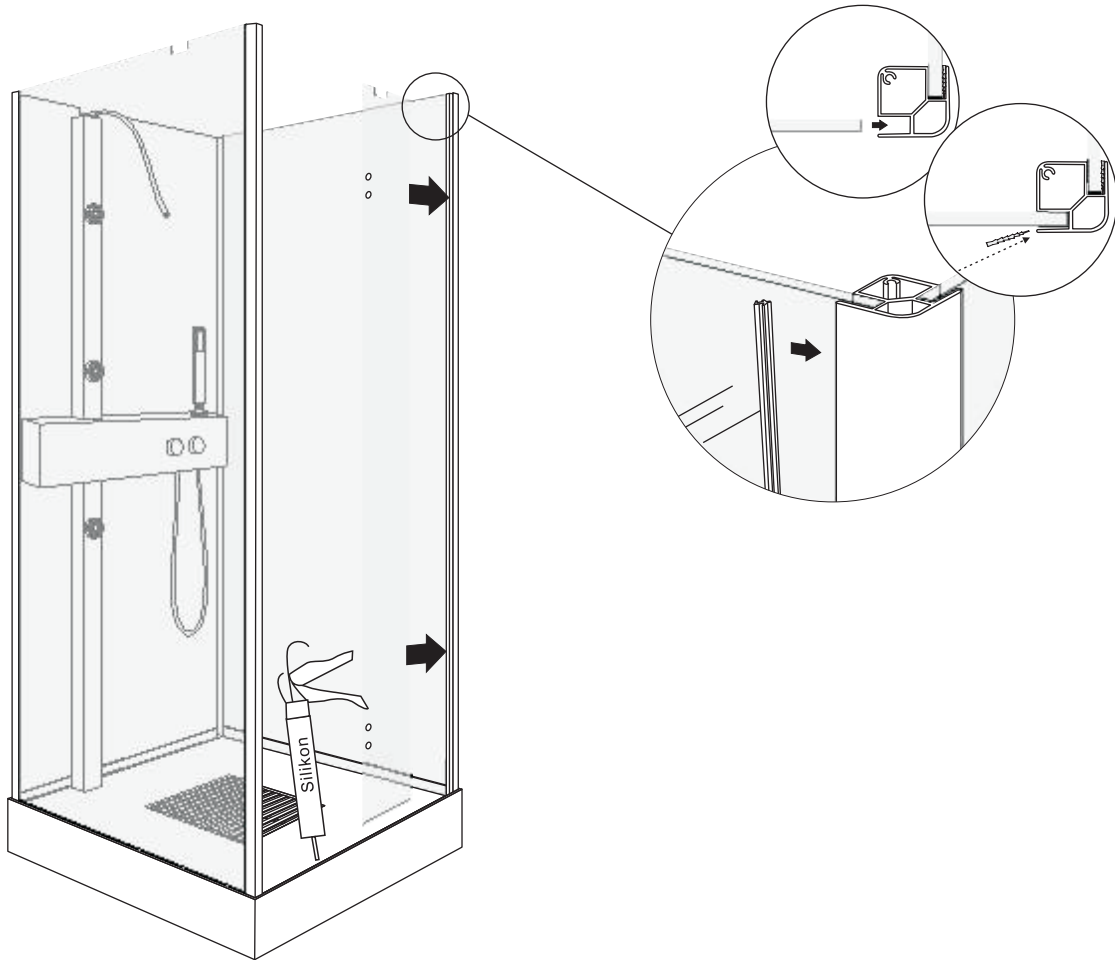
## Installation Instructions





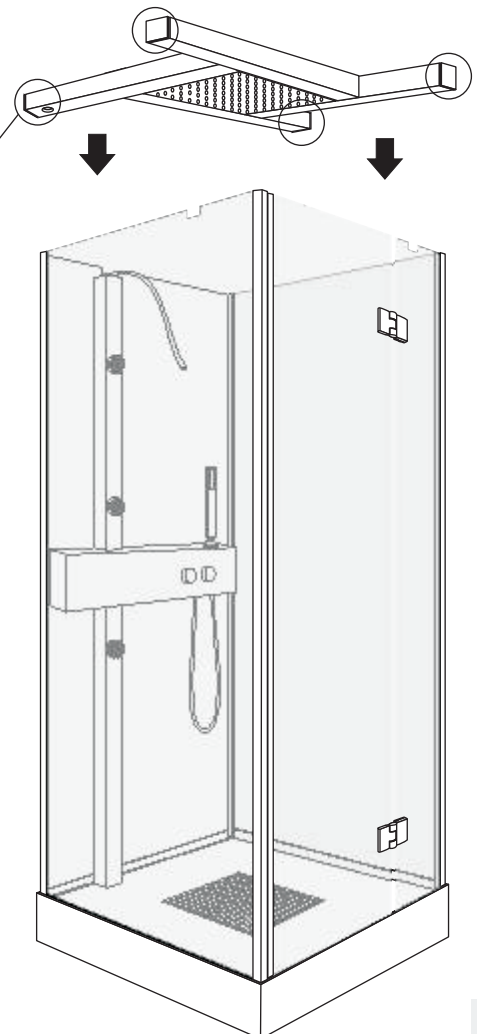
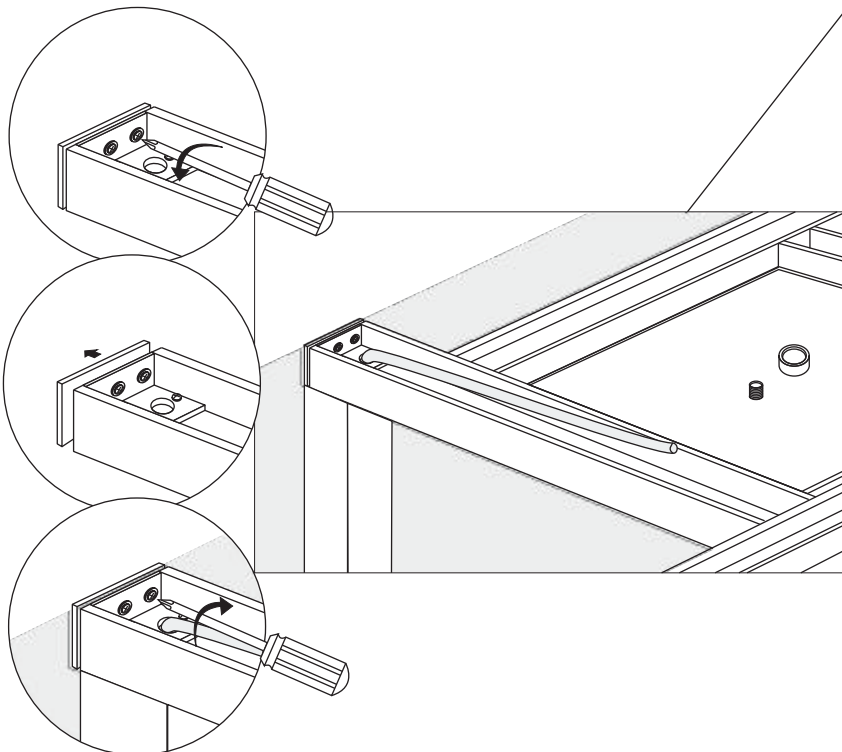
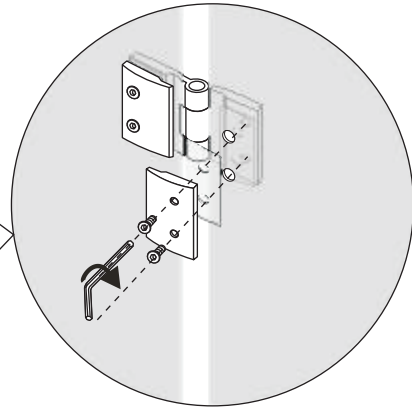
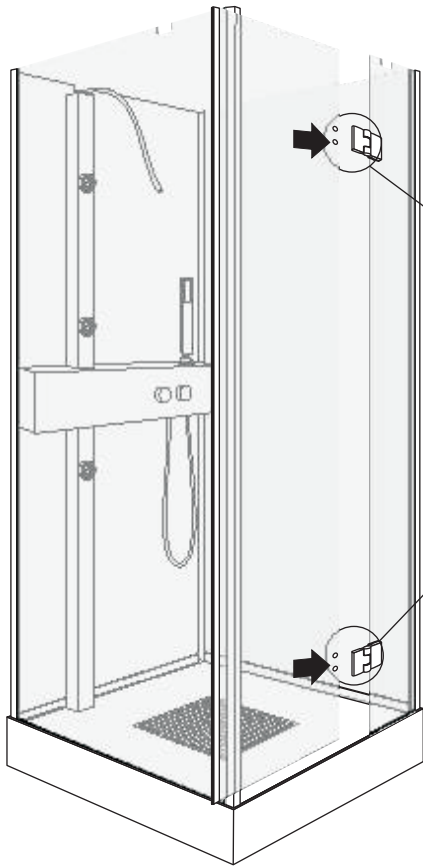
# S-9701

## Installation Instructions



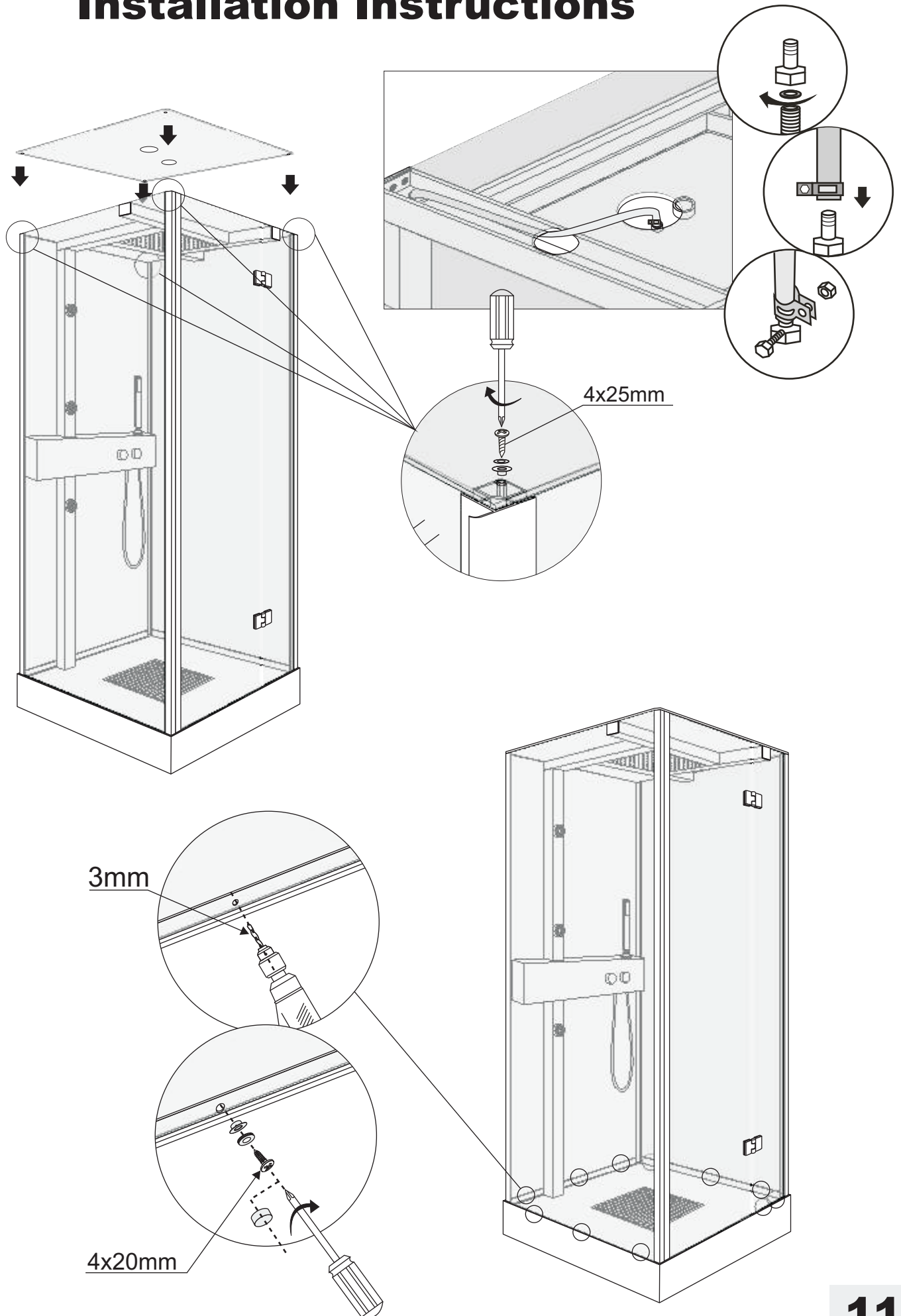
# S-9701

## Installation Instructions



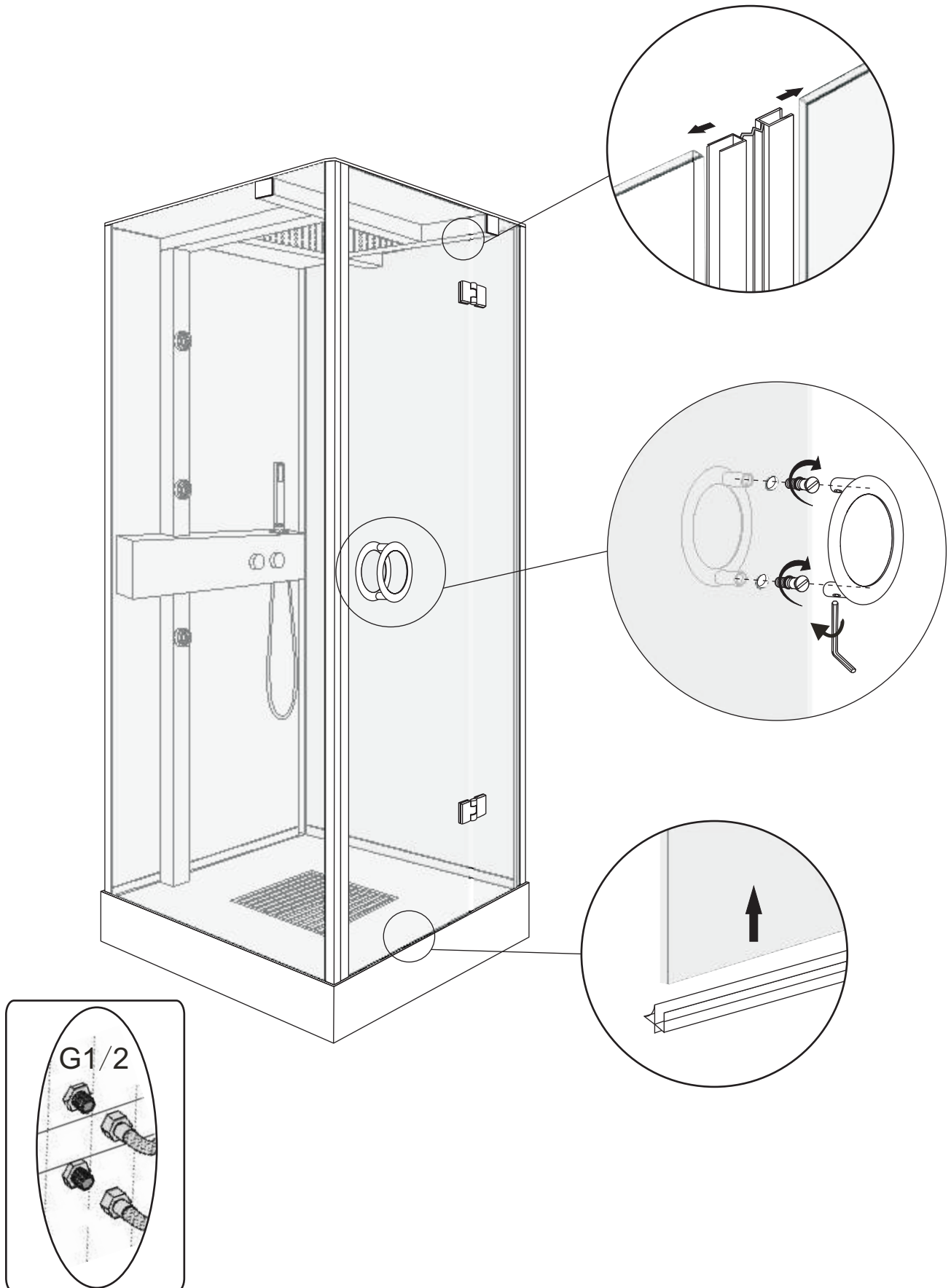
# S-9701

## Installation Instructions



# S-9701

## Installation Instructions



Connect the hoses of hot water and cold water hose correctly