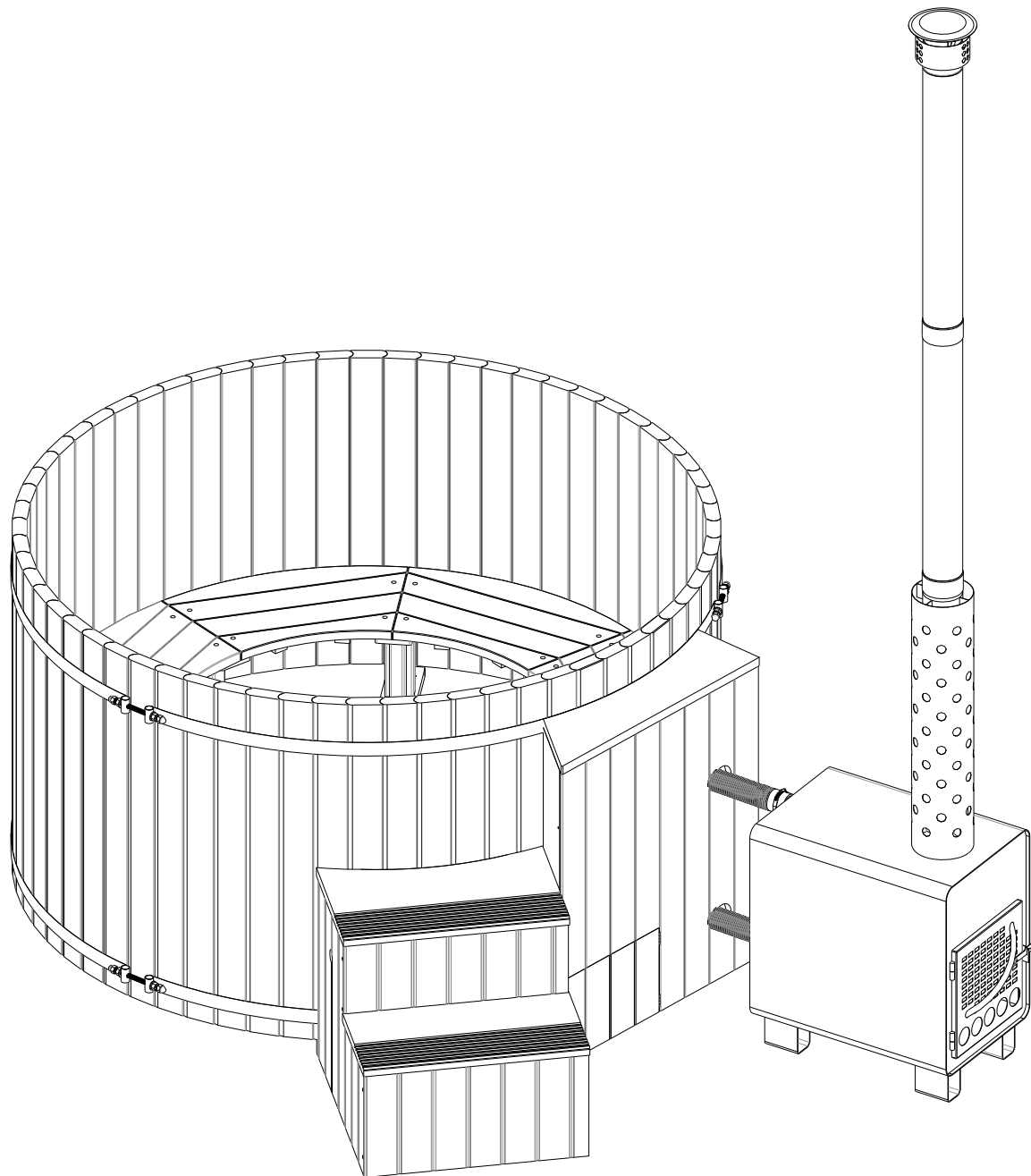


SPA HOT TUB MANUAL

RWH002 SERIES



Contents

◆ Installation Guide

◇ Safety Instructions-----	3
◇ Installation Guide-----	5
◇ Wiring Instructions-----	12

◆ Operating Guide

◇ Water Pump-----	13
◇ Thermostat-----	13
◇ Stove -----	13
◇ Replacement of Filter Paper Element-----	14

◆ Cleaning and Maintenance----- 14

Safety instructions

◆ Safety instructions

▲ Read Before Use

Congratulations! You now have a private hot spring barrel. Correct installation and maintenance will enable longer service life of barrel, please read through the Manual carefully.

I .Warning marks



Danger



Caution

II .Note

1. NEVER disassemble any electrical component in the system and, if any doubt, consult with licensed electrician for maintenance.
2. NEVER make modification to any equipment of the barrel without prior permission from manufacturer or distributor.

III. Instructions

1. The barrel, within the scope of specified warranty, shall be repaired by licensed electrician recognized by manufacturer or distributor, or otherwise manufacturer would not bear any loss thereby.
2. The manual is for installation guide only. Please timely consult with distributor for some specification update regarding the product series. Manufacturer shall reserve the final right to interpret the manual.

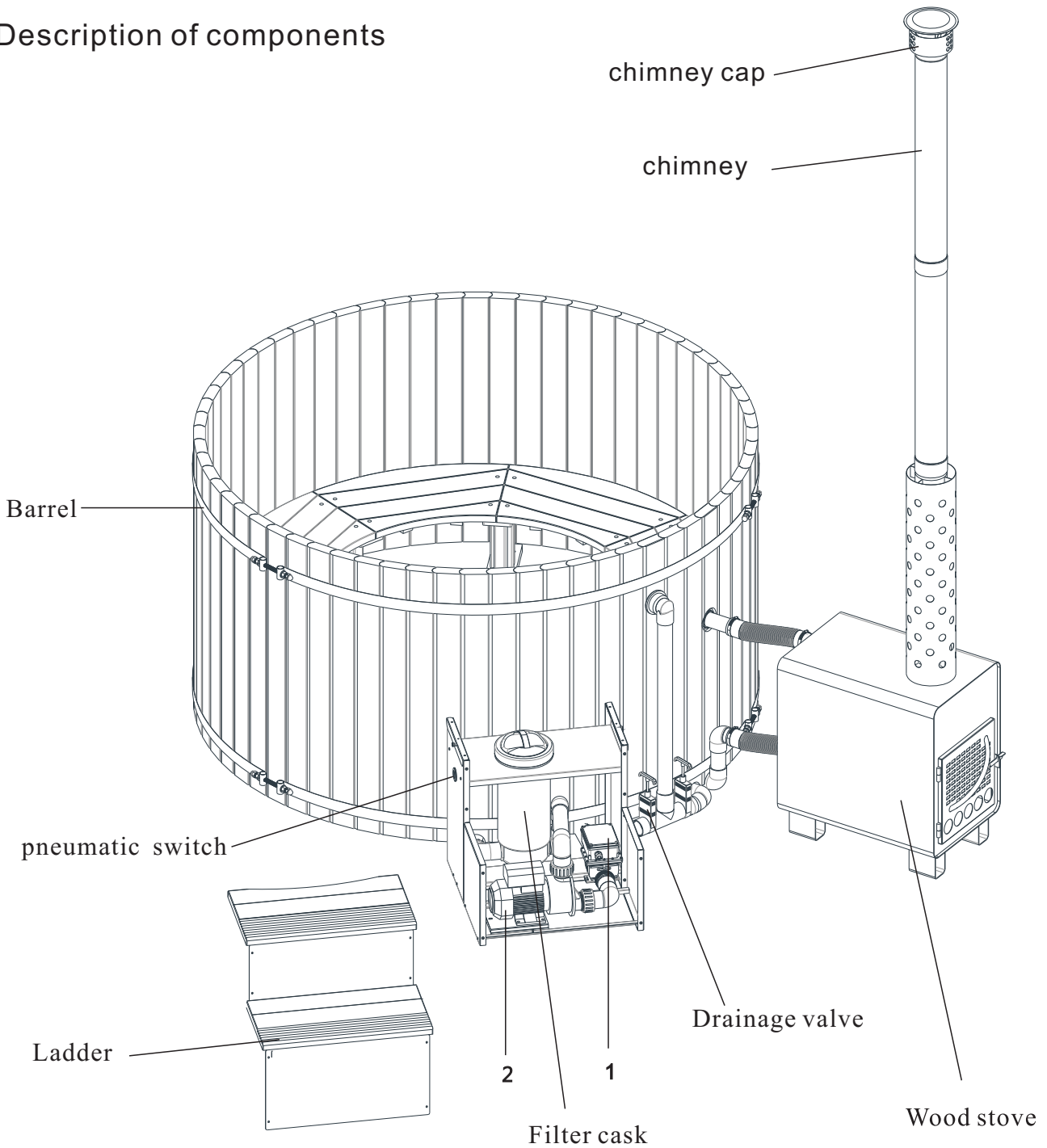
V . Safety instructions

1. Consult doctor before use if you are a pregnant, have a family history of heart disease, high and low blood pressure and circulatory system disease.
2. Never allow a child use the product alone. To prevent accident, children should use the product under adult supervision.
3. Rationally control product usage time while using the barrel since long-term exposure to high temperature will cause discomfort.

4. Clean filter regularly with neutral detergent.
5. Heat preservation cover should be in place while the barrel is not in use.
6. Please turn off power supply if the barrel is not in use for a long time.
7. The power supply should be compatible to the series of product. NEVER connect power lines at will.
8. Never dismantle and modify the barrel at will, which shall be performed by qualified and licensed electrician.
9. Place power cords in a dry and private place.
10. Measure water temperature with an accurate thermometer.
11. Water temperature inside the barrel shall not exceed 41 Celsius degrees, 38-40 Celsius degrees suitably recommended for a healthy adult. A lower water temperature is more suitable to children after using the barrel more than 10min.
12. To prevent from drowning, NEVER drink alcohol, narcotics or drugs while using the barrel.

Description of components

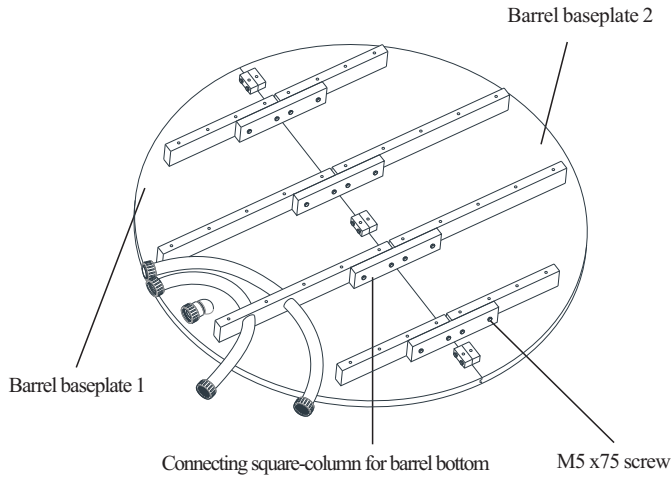
■ Description of components



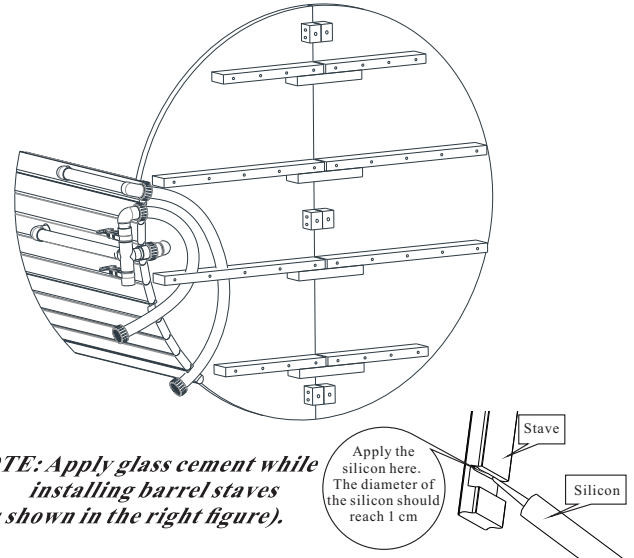
No.	Name	Type	V/Hz	Power	Amps	Fitting size
1	Heater	H30-RS1	AC220-240V/50Hz	3 KW	13 A	1 ½'
2	Cyc-pump	JA50	AC220-240V/50Hz	0.37 KW	2 A	1 ½'

Installation guide

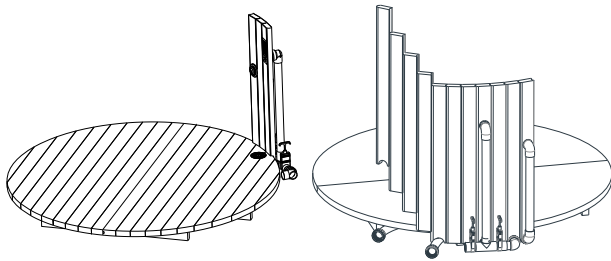
1. Barrel bottom installation



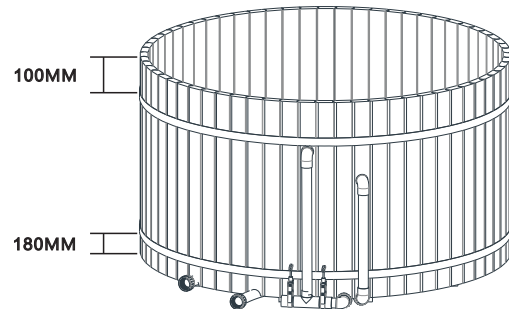
2. Installation of backwater barrel stave



3. Installation of water-spraying barrel stave



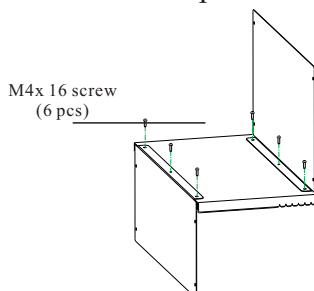
4. Installation of barrel stave and steel strip



1. Start with placing the stave with the semi-circle hole over the top of where the flexible drain hose comes out from underneath the tub.
2. Angle the next stave into the previously fitted stave
3. Gently tap with the rubber mallet, firstly tapping the side of the stave so that it fits up tightly against the previous stave, then tapping on the outside of the stave placing it tightly up against the hot tub base. Alternate between tapping on the side and the outside of the stave until it fits snugly together and there are no gaps. Make sure that the whole length of the stave is in line with the previous stave in the upright position otherwise the bottom piece of the stave could break off if tapped too hard on the wrong angle.
Hint: Place something gently up against the hot tub wall to help keep the staves in place if they seem a bit loose.
4. After gradually working your way around with placing all the staves onto the base, the hot tub wall has now been formed.

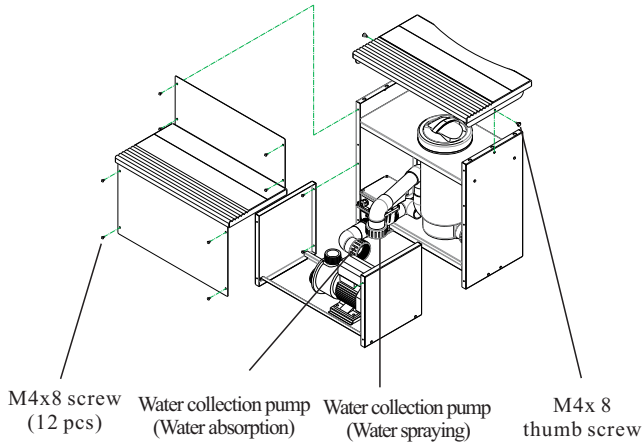
1. Carefully unwrap the stainless steel bands.
2. Join the 2 band pieces together to form one length, making sure that you have the correct pieces joined together-1 short length and 1 longer length for the medium hot tubs for example.
3. Slowly tighten the band just enough to hold it in position at the base of the hot tub
4. Slowly tighten the band making sure that it is level all the way around and in line or just above the point where the tub base fits into each stave.
Hint: Place something suitable on the ground under the tub wall to stop the band from falling down and going under the hot tub.
5. Place the remaining bands around the hot tub making sure that the top band is approximately 20-30cm from the top of the wall and the centre band is equal distance between the top and bottom bands.
6. Alternate between tightening the different bands and stopping occasionally to walk around the hot tub 'wiggling' the staves to make sure they are closing up tightly together. A creaking sound of the wood shows that the hot tub is tightening together. Don't over tighten the bands as once the hot tub is filled with water, this will cause the wood to swell up and expand forming a tight seal.
Hint: If your hot tub is being set up close to the sea, a simple way to protect the bands from the harsh sea air and to stop the speckled appearance of surface rust appearing is to apply a coat of varnish to retain the shiny look.
The bolts may appear to rust after a relatively short while but this is only surface rust which doesn't make the bolts any weaker.

5. Installation of ladder pedal

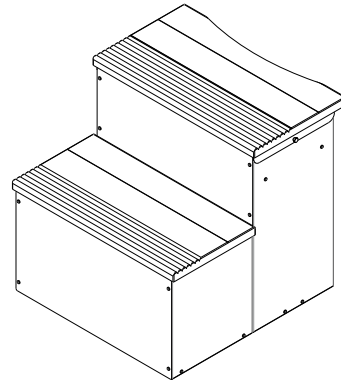


Installation guide

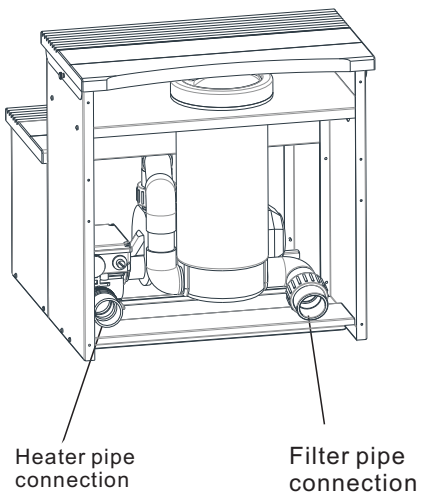
7. Installation of ladder's system cabinet



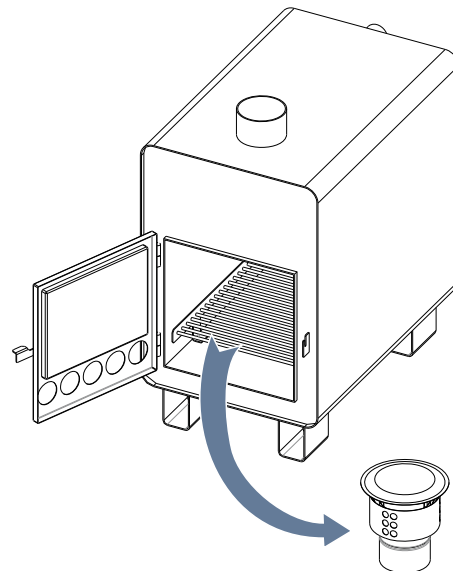
8. Complete picture of ladder's system cabinet



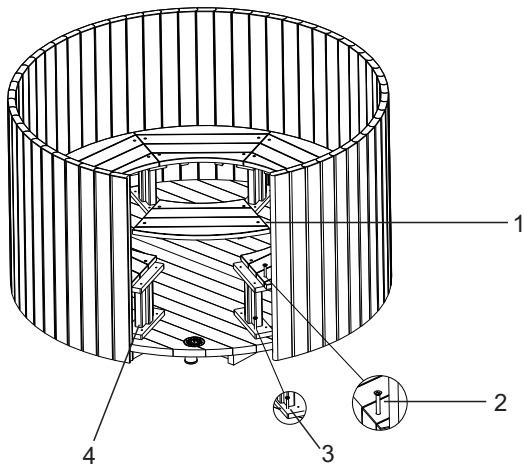
9. Pipeline installation



10. Removal of chimney cap



10. Installation of the bench seating



1-Bench top; 2-M6x50; 3-M5x60; 4-Bench feet

1. • Assemble the seats to the bench feet pieces making sure the 2 screw holes on the bench feet are at the front and that the seat is correctly positioned as shown in the diagram below.

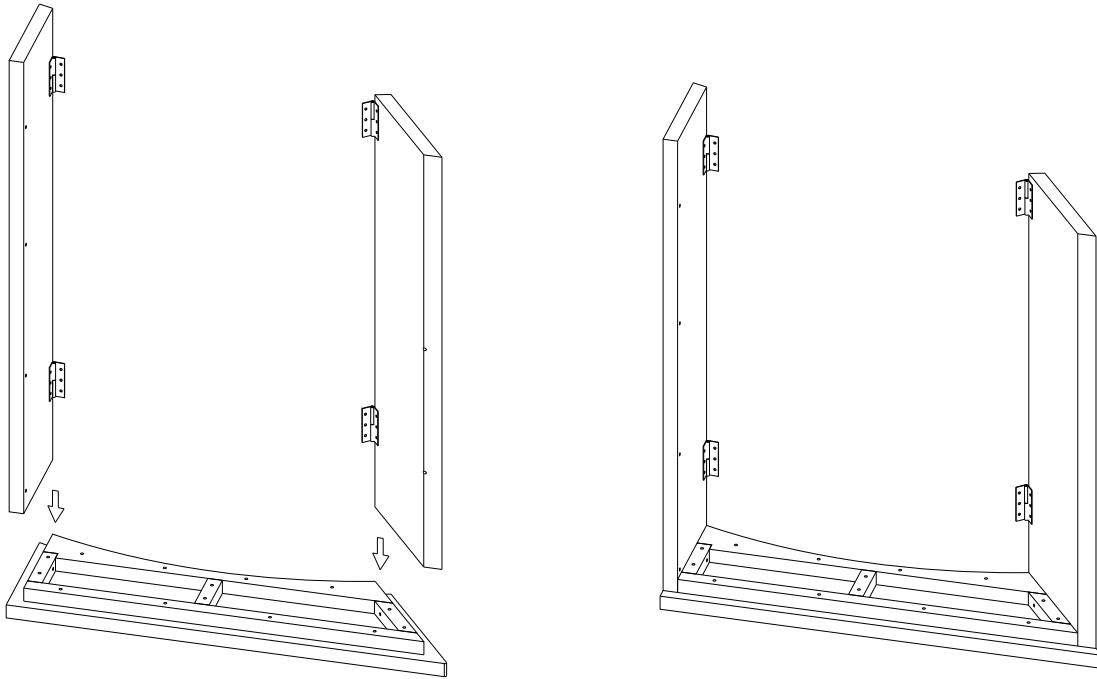
Hint: When bolting the seats to the bench feet, use an Allen/hex key to turn the M6 x 75 bolt piece on the top while using a socket piece to hold the nut in place underneath. If you do not have a socket set, simply insert a screwdriver up underneath to hold the nut in place as you turn the bolt piece.

2. • Place all the assembled bench seats in the correct position inside the hot tub making sure that the 2 screws on the bench feet are facing towards the centre of the hot tub.
3. • When all the bench seats are in the correct position, screw them down.

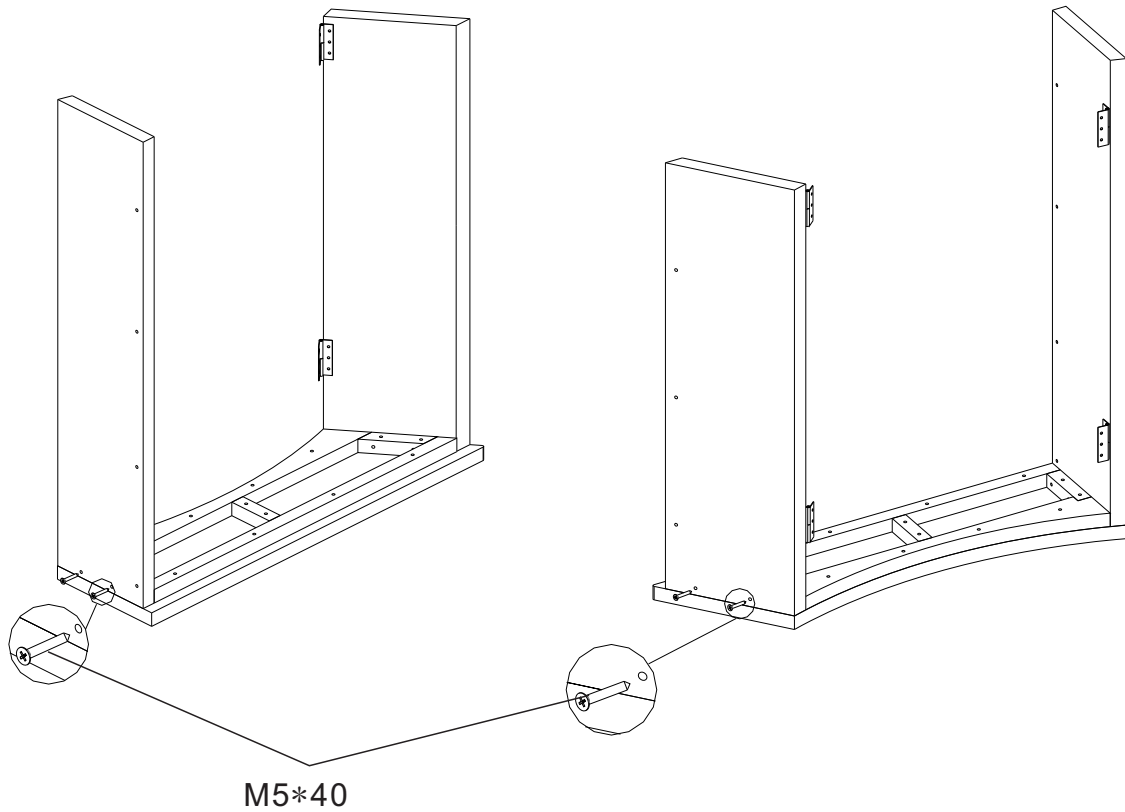
Installation guide

11. Installation of the cedar skirt

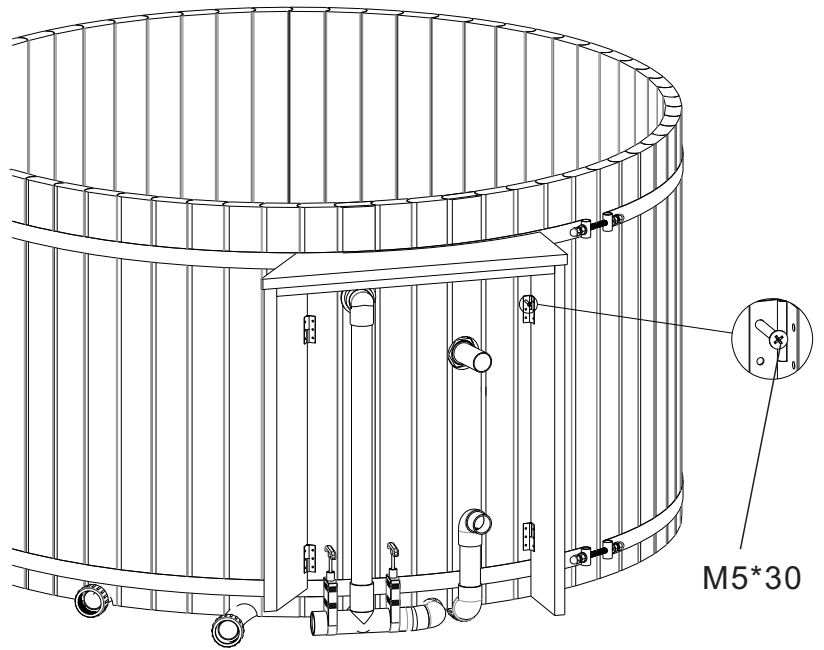
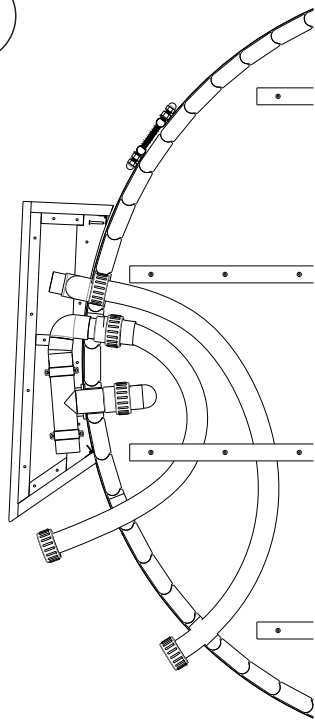
1



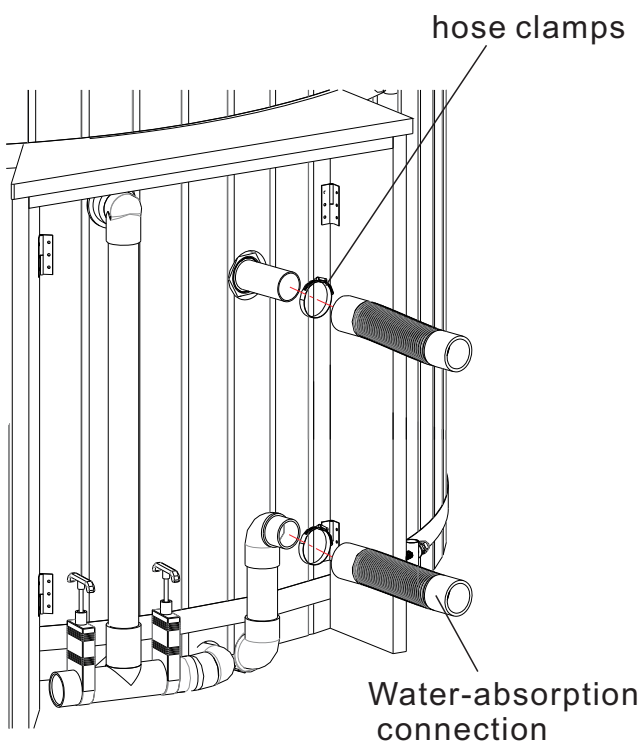
2



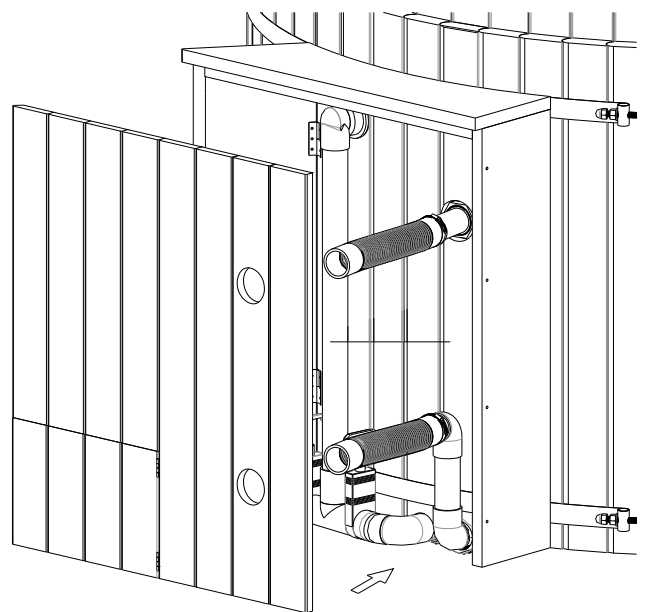
3



4

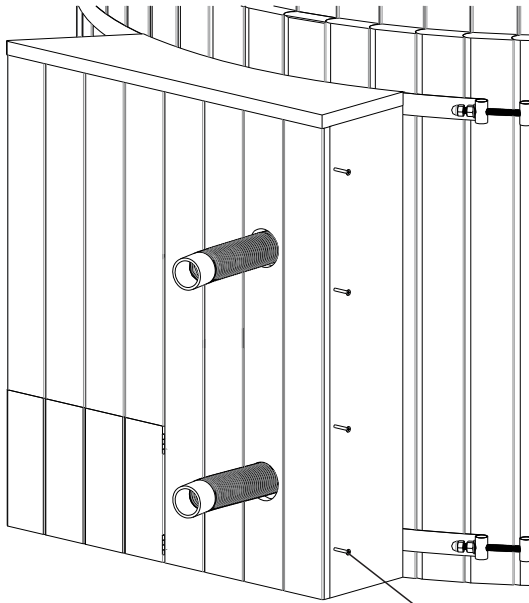


5



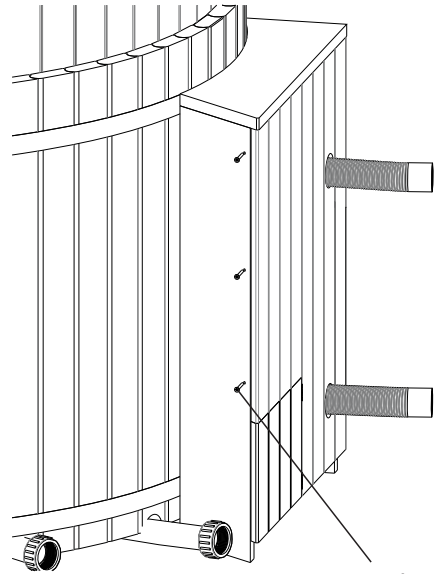
Installation guide

6



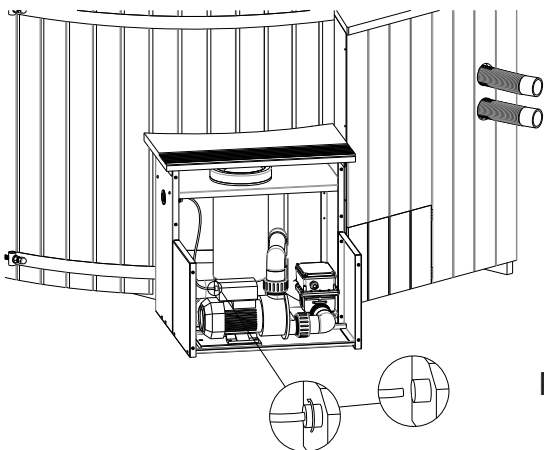
M5*50

7

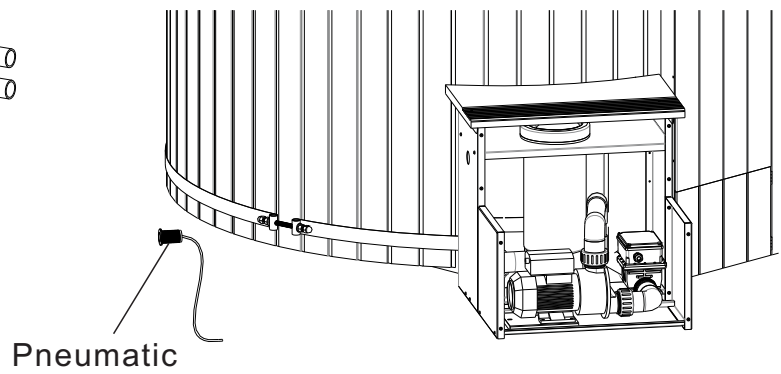


M5*50

8



9



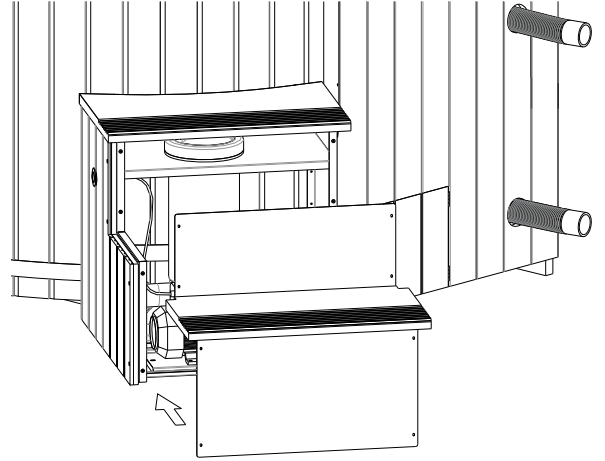
Pneumatic

Installation guide

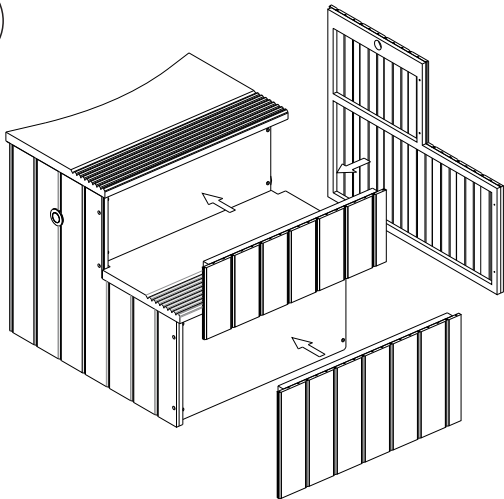
10



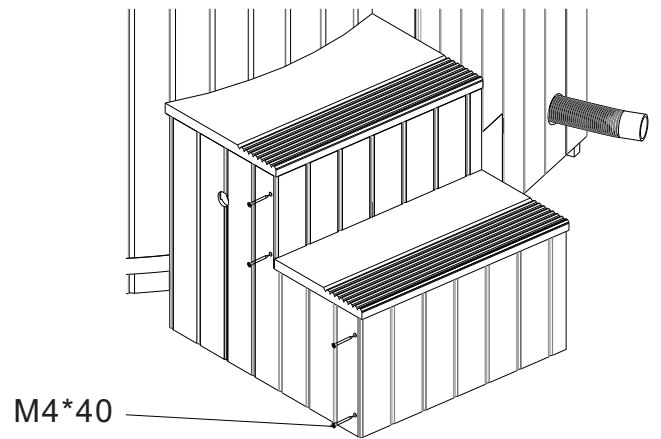
11



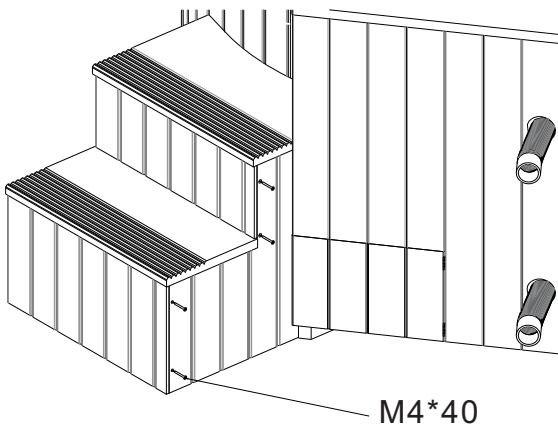
12



13

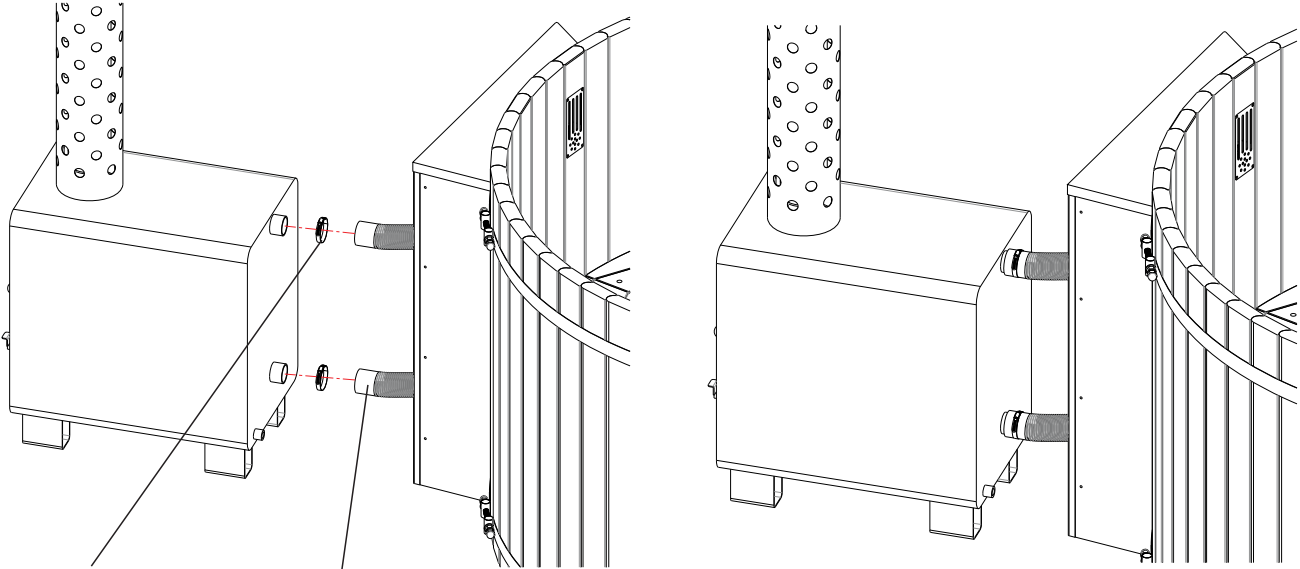


14



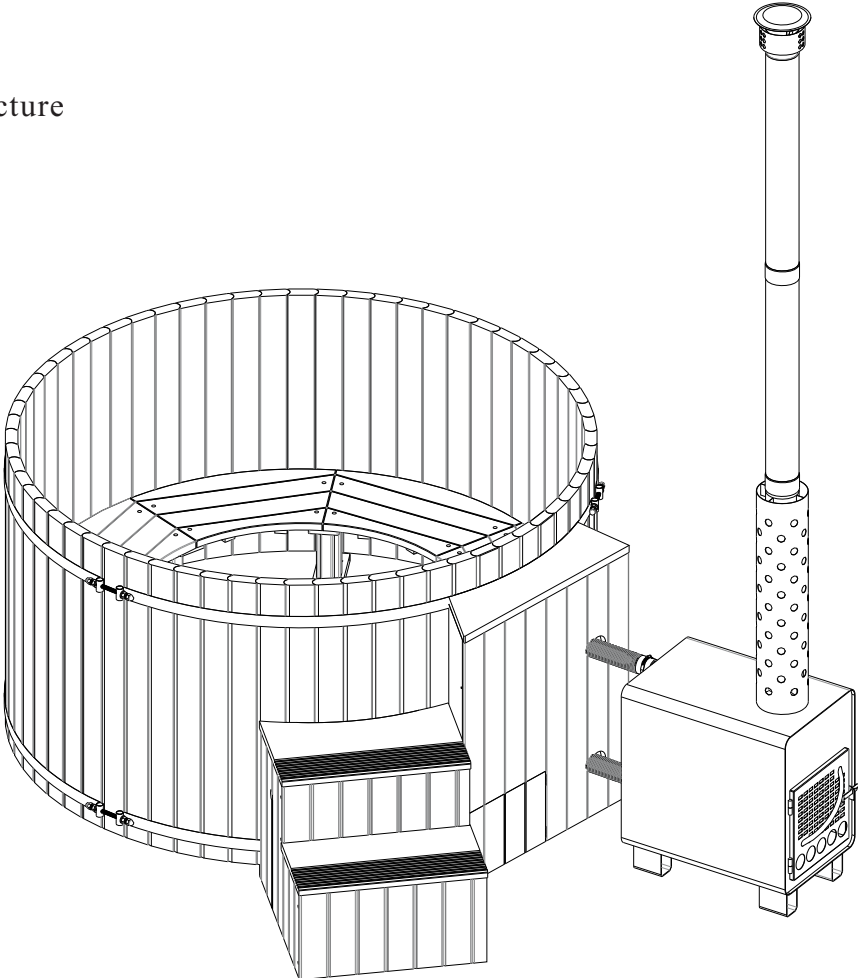
Installation guide

12. Connection among barrel, system cabinet and heating stove.



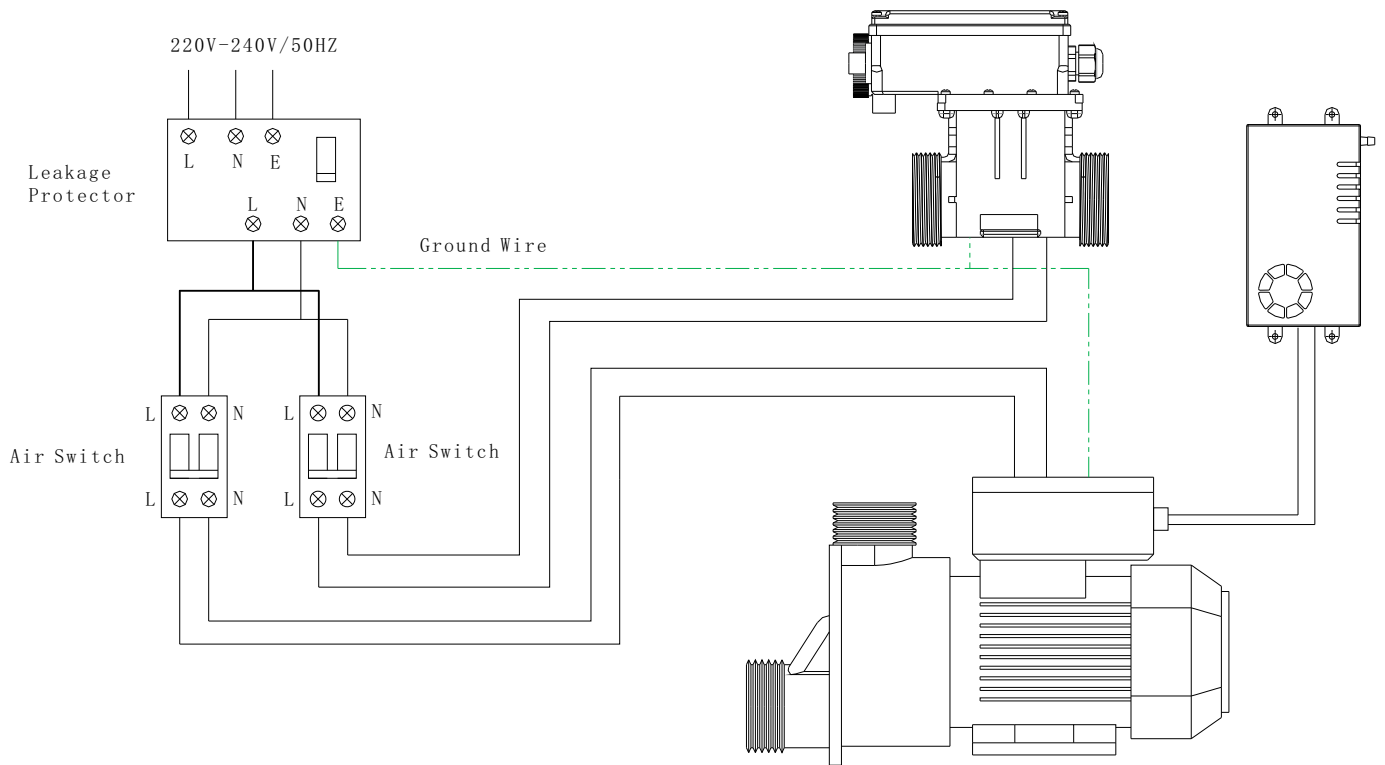
hose clamps Water-absorption connection

13. Complete picture



Wiring Diagram

■ Wiring Diagram



◆ Wiring instruction

1. Electrician responsible for power line layout shall hold the official electrician license.
 2. Power requirement: 16A 220-240V 50Hz.
 3. Power lines selected shall be no less than 4 square millimeter.
 4. Power socket shall be at least 30CM above the ground.
 5. Power socket shall be installed in a place away from rain, preferably in an electric box.
 6. Water pump housing shall be grounded;
- ※Electrician responsible for power line layout shall hold the official electrician license, or otherwise the manufacturer and distributor shall bear no liability for any economic loss thereby or legal responsibility.

Operation Instruction

◆ Operation Instruction

▲ Switch Description

The series of products are designed with dual switch;

The first is electric switch installed by electrician;

The second is the starting switch designed for the product.

◆ Operating Instructions

Before using the product, turn on pipeline valve;

△ Master switch

Master switch is the leakage circuit breaker installed by electrician and while it is turned off, all electric components would be disabled. Turn on master switch before use of the product.

△ Water pump

Two water pump switches:

The one is electric switch, installed by electrician; generally it is normally open and, if the filtration and constant temperature function is not to be used, turn off the switch;

The other is starting switch, installed at the side of ladder; while water pump is powered on, you may press down the switch to start water pump and switch off the pump by another press;

△ Thermostat

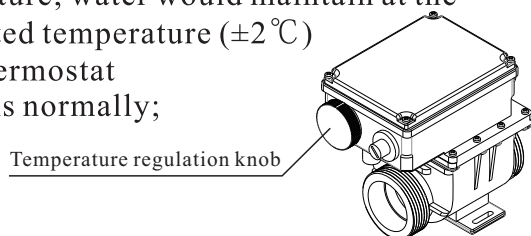
Two thermostat switches:

The one is electric switch, installed by electrician; if circulating filtration but constant temperature function is to be enabled, turn off the electric switch;

The other is water flow switch, installed in thermostat, controlled by water pump; water flow switch would be automatically enabled while water pump functions normally and automatically disabled while water pump stops working;

Adjustable thermostat is designed for the series of products;

Temperature may be freely adjusted ranging 0-45°C. Thermostat would automatically stop working while water reaches to designated temperature; water would maintain at the designated temperature ($\pm 2^{\circ}\text{C}$) when thermostat functions normally;



◆ Operating guide for stove

Turn on pipeline valve before using stove;

The stove can be operated when pipeline valve is turned on, no matter water pump functions or not;

Prompt: "Beep" sound may be heard from water outlet while the stove is used for heating at the time of water pump halt;
Dimensions of firewood should be less than:
L 250mm × W 200mm × T 50mm;

Note:

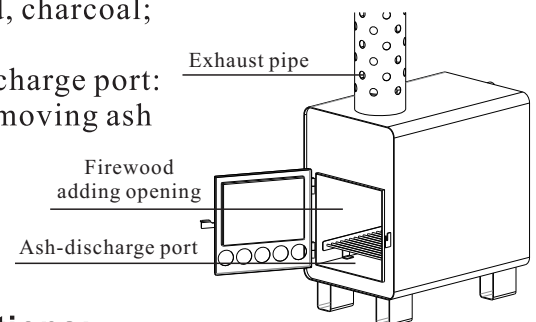
Do not touch the product since its external surface temperature is extremely high;

Do not stay near wood adding opening while using the product, since there would be strong radiation heat within a range of 50CM from the opening.

▲ Description of key positions

Wood adding opening:
used for adding fuels such
as firewood, charcoal;

Ash-discharge port:
used for removing ash
remains;



▲ Instructions:

1. Add some easily ignited small firewood or fuel at the top;
2. Ignite a paper or other object and place it onto firewood to ignite firewood in stove;
3. A bin of firewood may be burned about 20min; note: in view of the large volume of fuel bin and rapid temperature rise, please measure water temperature before adding fuel and, if water temperature is appropriate, do not add fuel;

▲ Ash removal:

The stove provides ideal combustion therefore only small quantity of ash need to be removed, normally once every five time; remove ash from ash bin with small shovel or hooklet;

Cleaning and Maintenance

◆ Replacement of filter paper element

1. Replace filter paper element while water pump is working;
2. Stop using heating stove one hour before filter paper element replacement, or otherwise water tank of stove would be exploded;
3. Turn off pipeline valve;
4. Unscrew the exhaust port of filter cask (the small nut on the top of filter);
5. Unscrew the locknut on filter cask;
6. Remove the lid of filter cask and replace filter paper element;
7. Put filter cask lid in place and tighten locknut;
8. Turn on pipeline valve to discharge air from filter cask;
9. After discharge air from filter cask, tighten exhaust port;
10. Operation is finished.

◆ Cleaning and maintenance

Cleaning and maintenance is critical to the of products, that would determine the product appearance and usage experience and provide you pleasant bathing experience.

△ Surface cleaning

Dirt on wood surface should be removed timely since dirt absorbed by wood with strong adsorption capacity would not be easily removed; for surface dirt, wipe it first with clean water and cotton cloth and, if it is difficult to be removed, scrub with banister brush and neutral cleaning agents. Never use acid cleaning agents and hard brushes which will cause irreversible damage to paint.

△ Paint (if any) maintenance

These products are wooden bathtubs painted with natural wax oil rather than closed painting, maintain the texture and touch of wood and the natural scent of red cedar (released during hot water immersion).

Wax oil, the protective paint to maintain wooden bathtub perennial bright as new, adds no any chemicals, needs to be repainted once every or half a year to protect the wood against exterior damage;

Applying wax oil is quite easy and can be carried out at home as per following steps:

1. Apply wax oil on sunny days;
2. Drain water completely from the barrel and let it dry 3-5 days (sunny days);
3. "Anti-UV Wax Oil" is preferable;
4. Clean surface with dry cotton cloth;
5. You may paint with brush or cotton cloth (the latter is recommended). Wipe out surplus paint on surface with cotton cloth 20-30 min after painting while paint is still wet. The product would be ready for normal use after 24h.

△ Maintenance at low temperature

Water in pipelines would be frozen when it is below 0°C, in such case we may discharge water from pipelines to prevent pipeline break caused by freezing water.