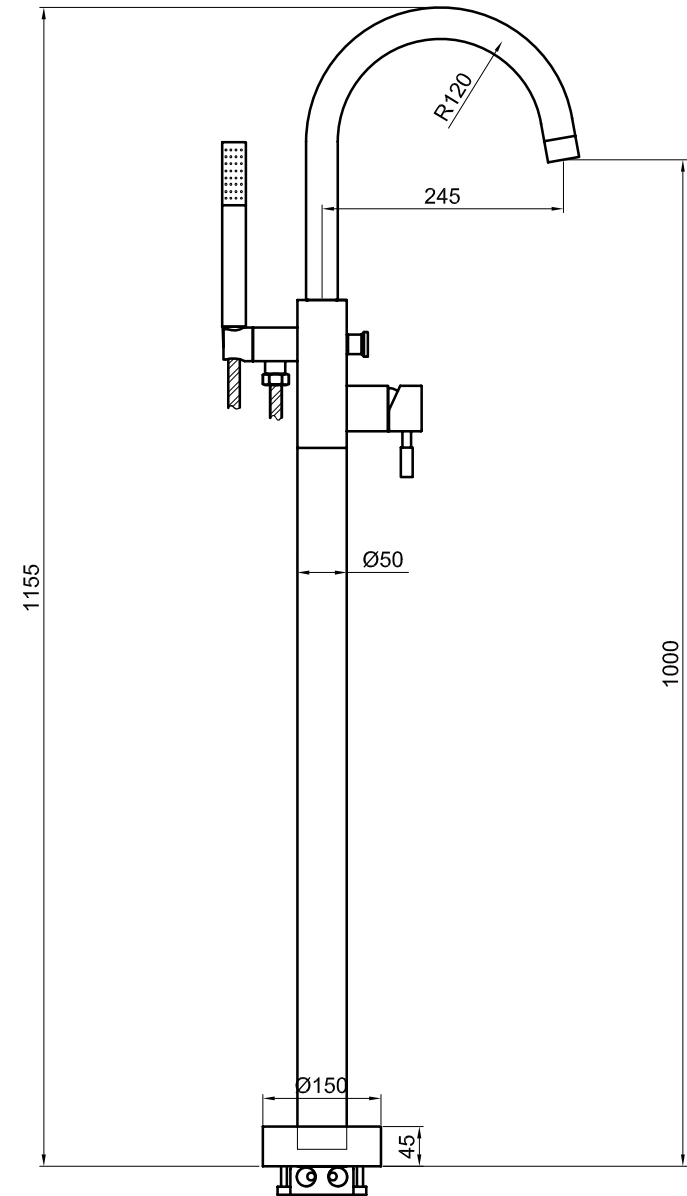
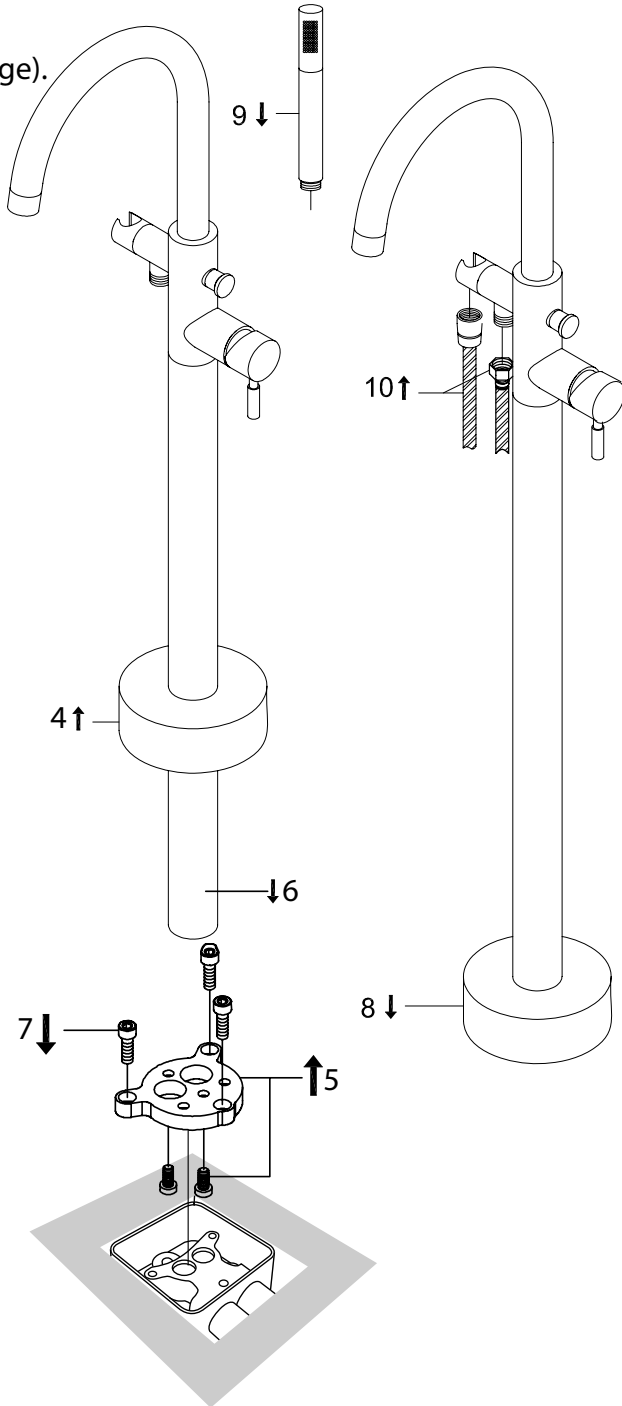
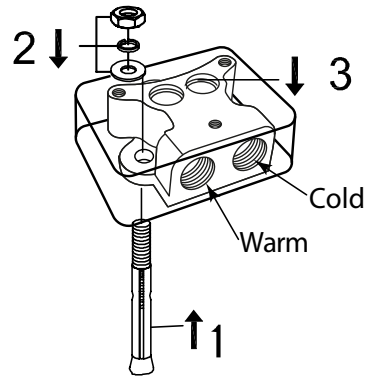
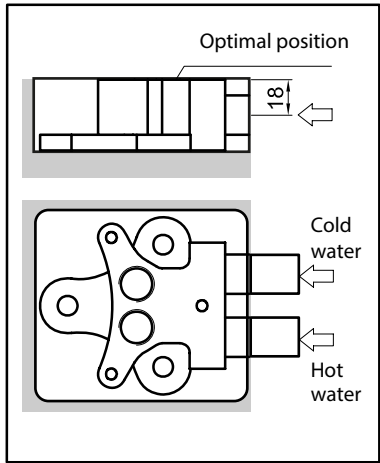
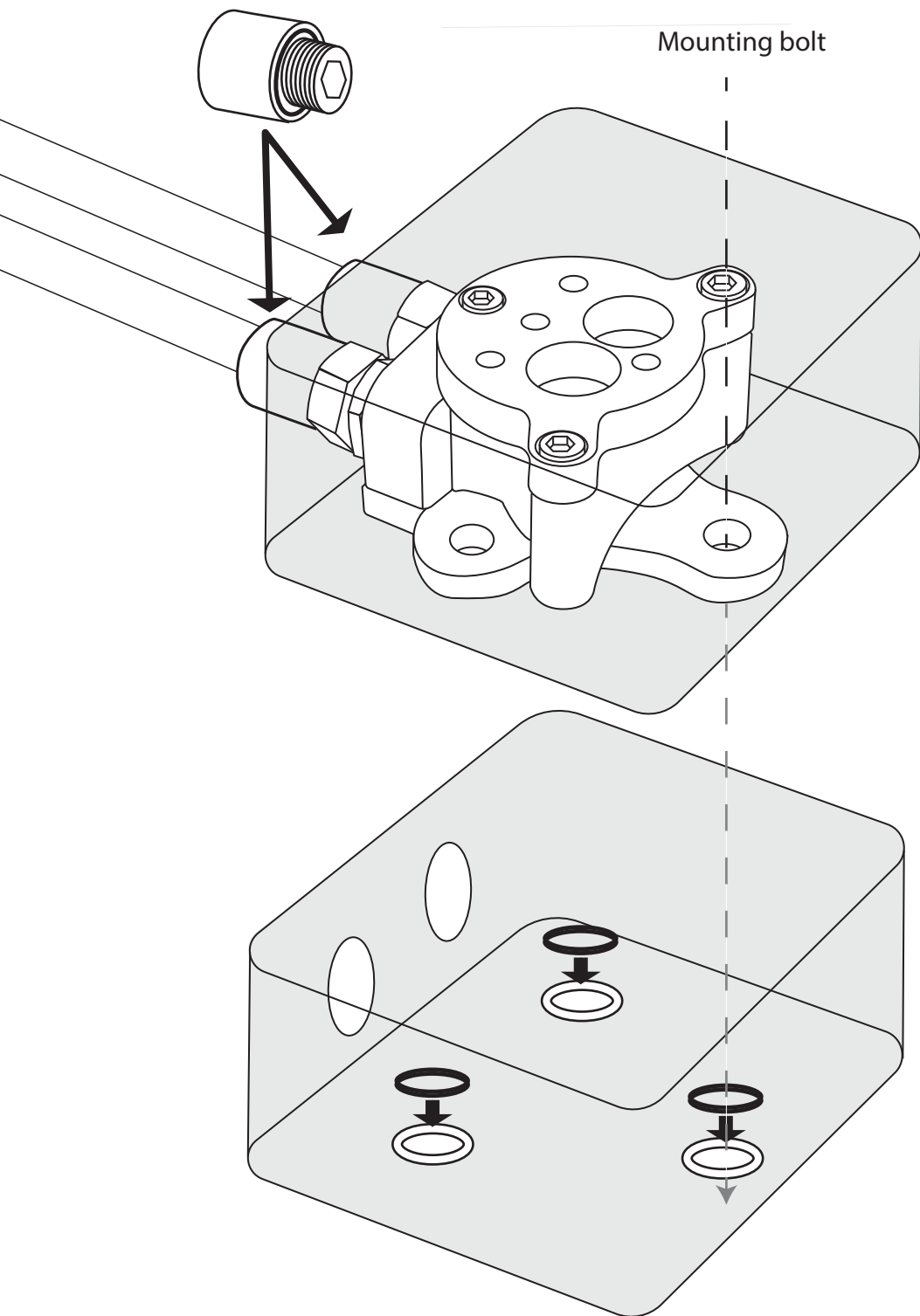


Freestanding armature for bath tubs, London

No. 5700

Installation (See also next page).





Mounting bolt

The built-in-box is placed on the floor, so the top is aligned with the surface of the floor.

Three rubber gaskets are placed on the three holes in the bottom and the base of the luminaire is placed on them.

The two water supplies must be close to the side of the box. The extension is screwed on from the outside, after which the water pipe is mounted with a screw connection. Remember the rubber gasket.

The mounting screws are passed through the base and the box.

Seal with rubber between the top edge of the box and the floor.

REMEMBER! The water pipes must be connected with leakage protection. (Not included).

