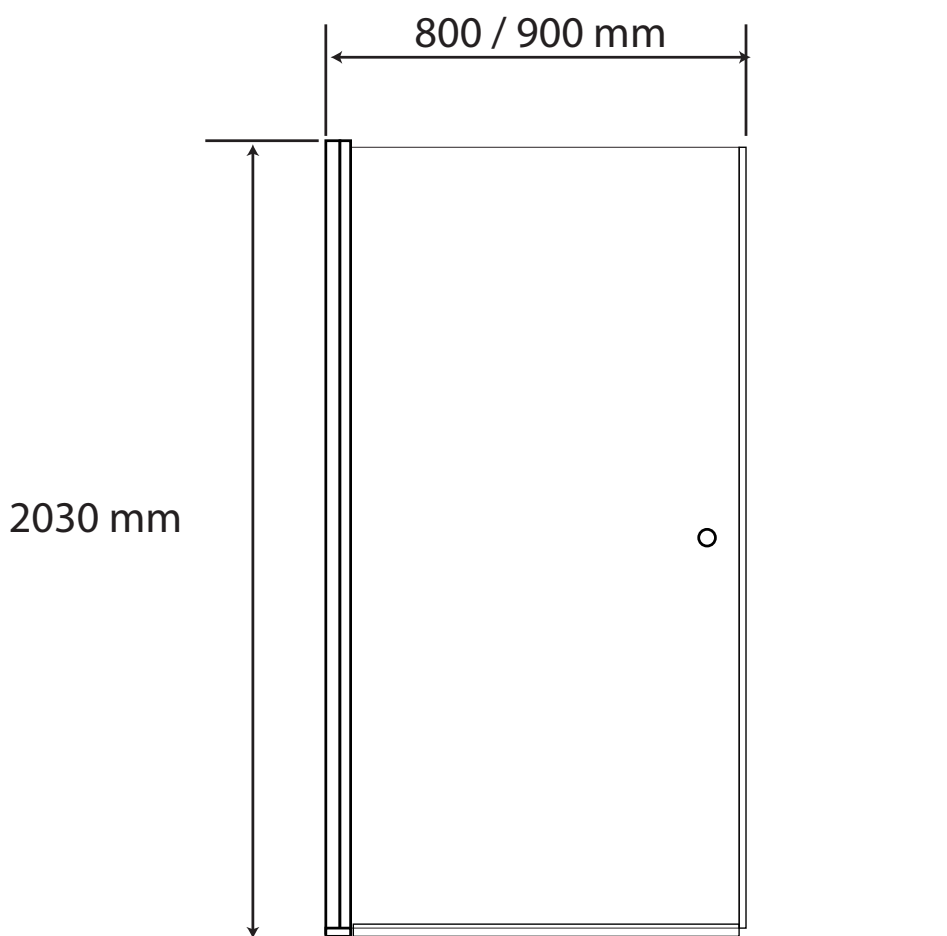
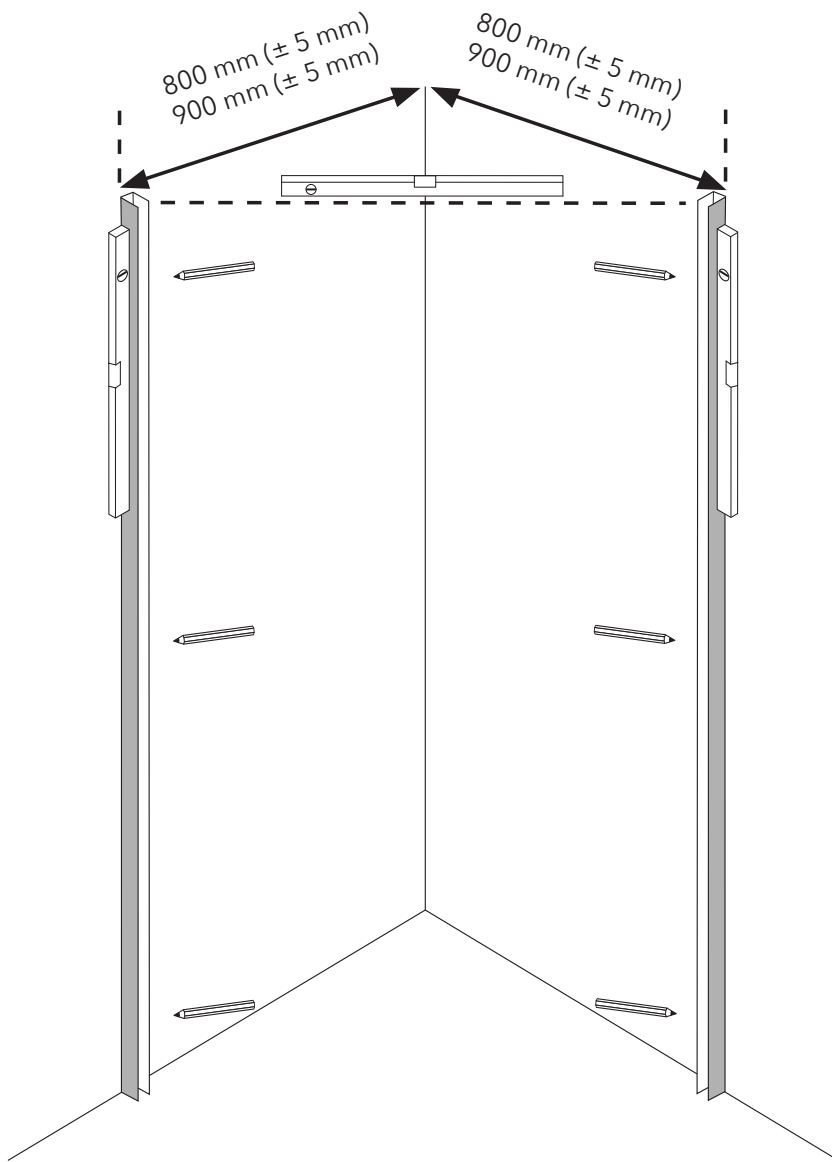
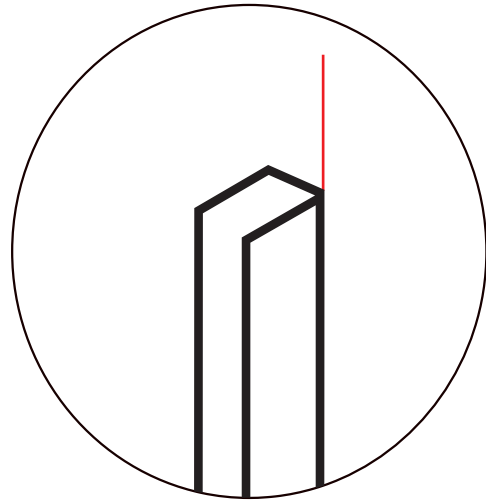
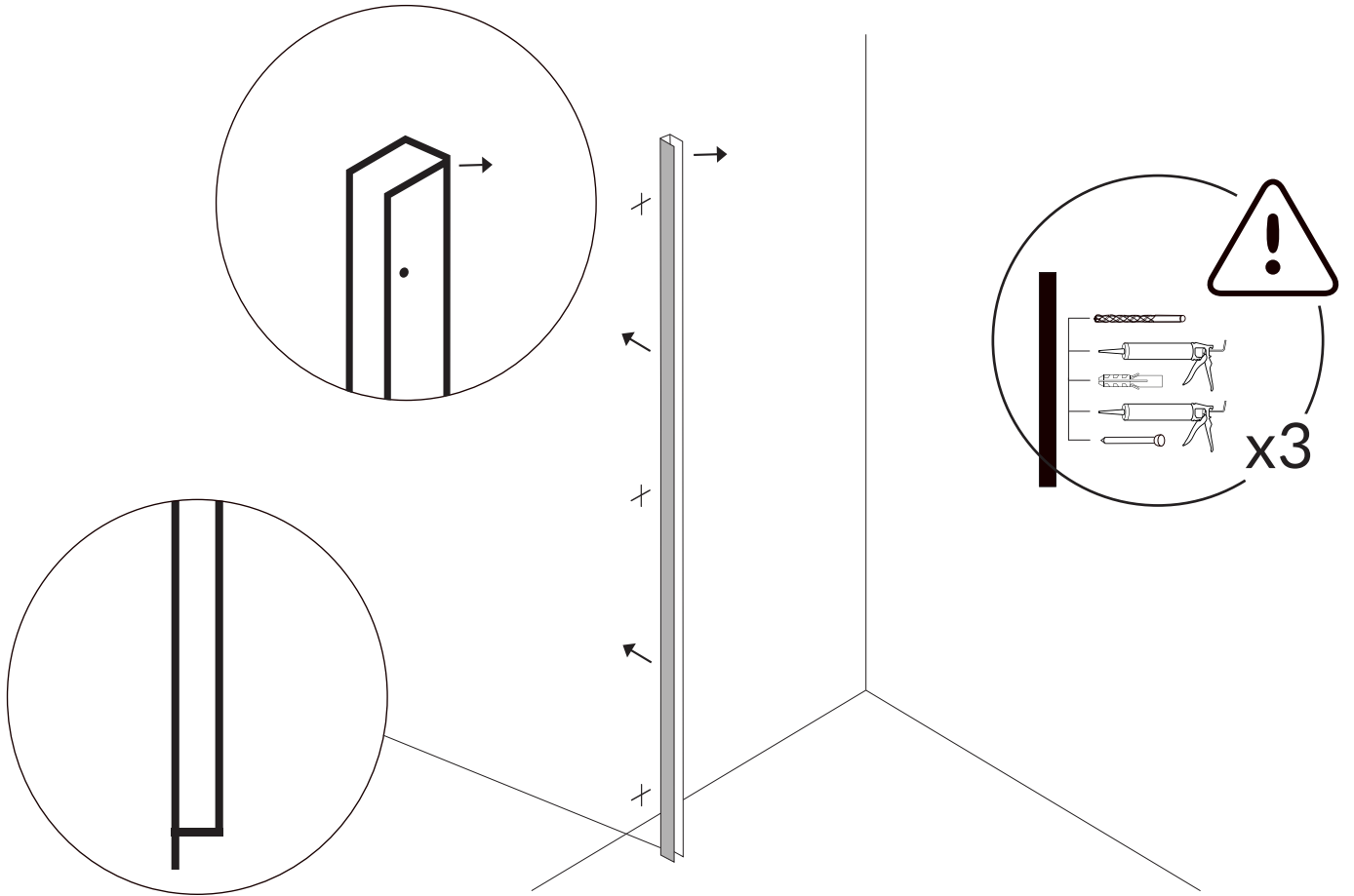


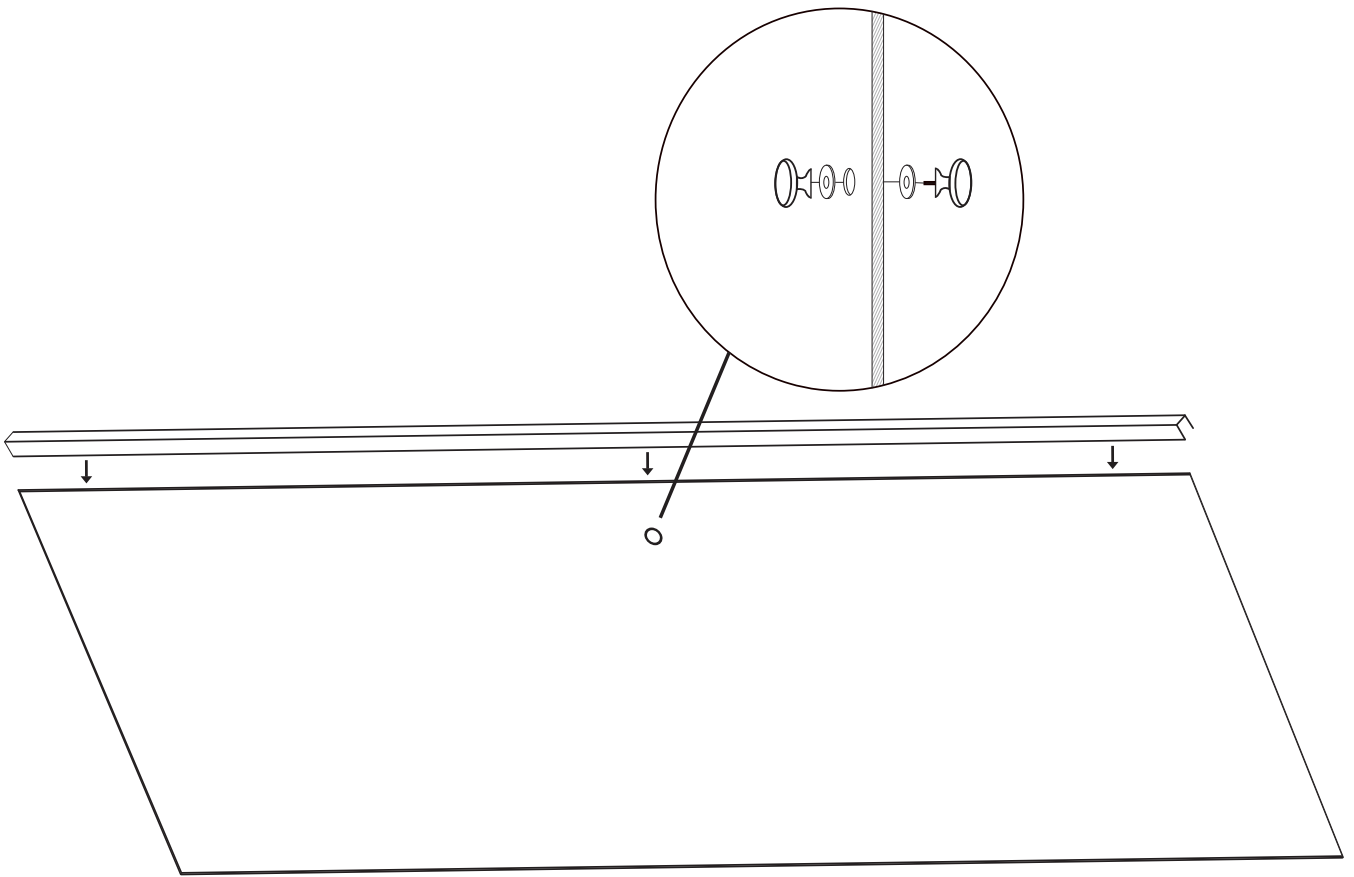
# Shower corner, 6 mm

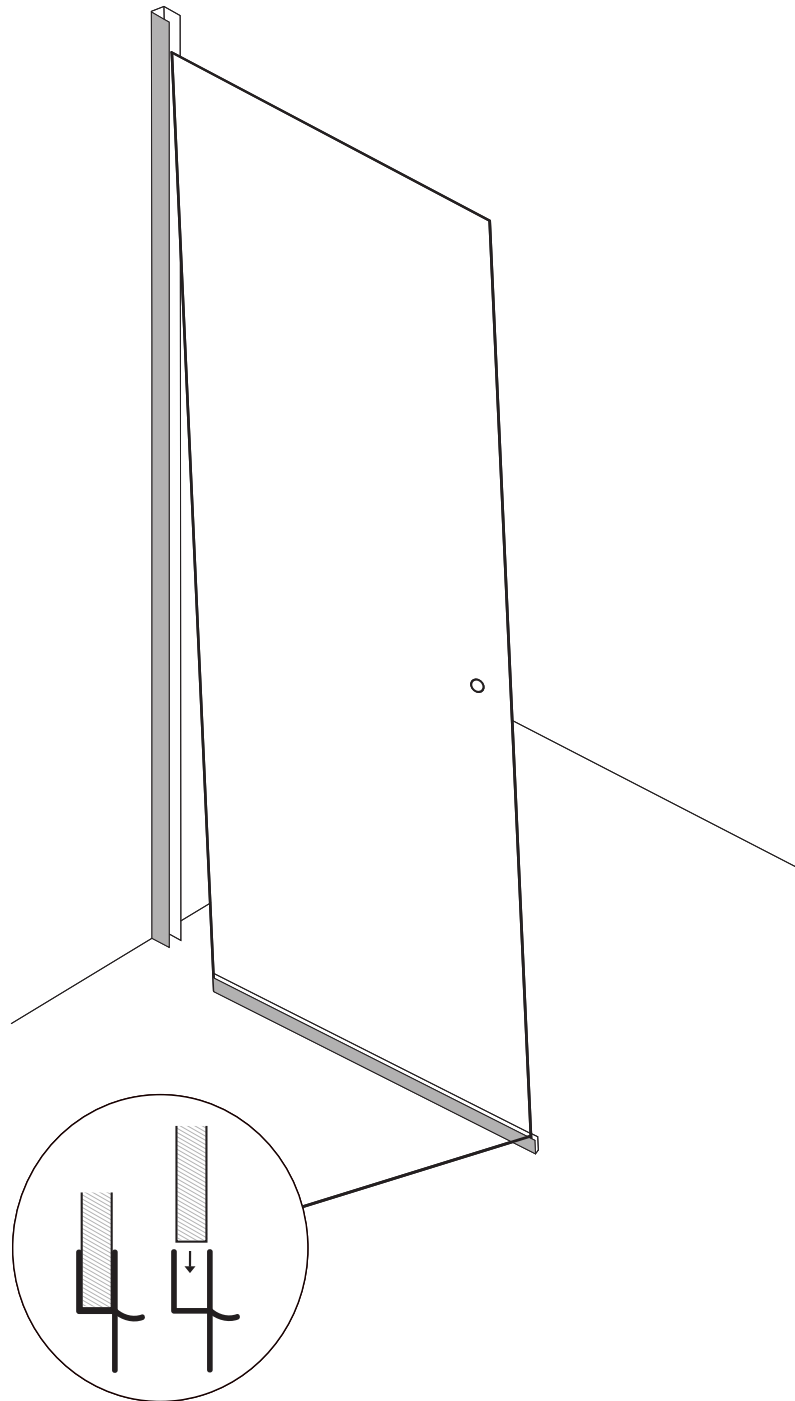




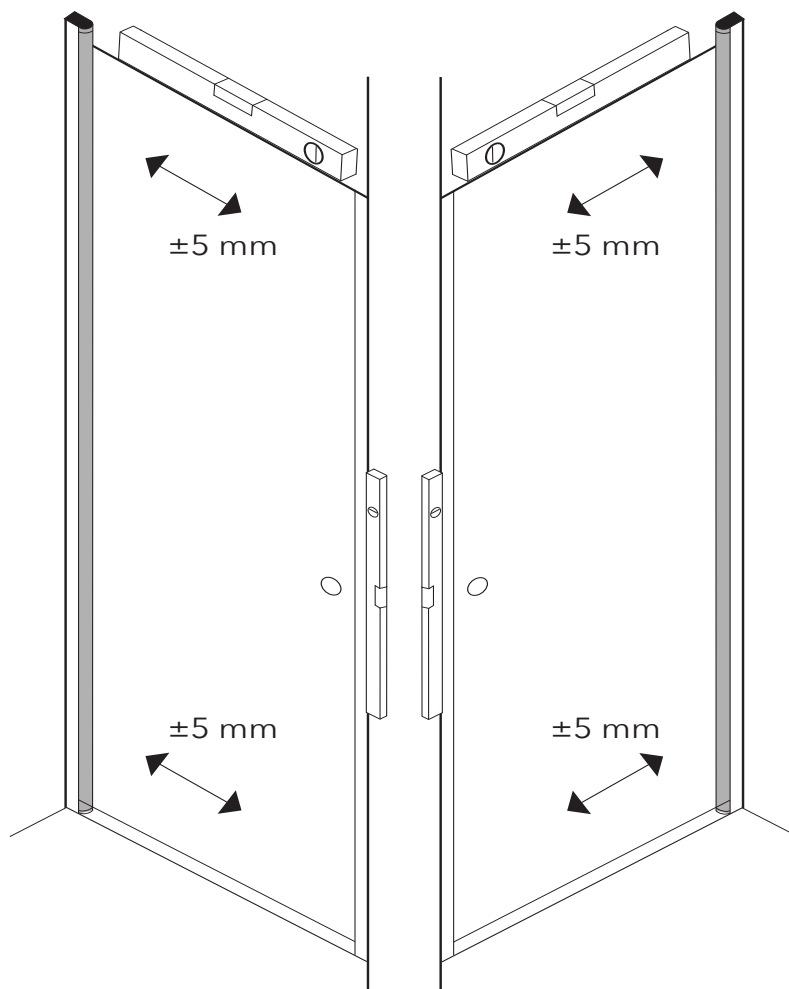
2



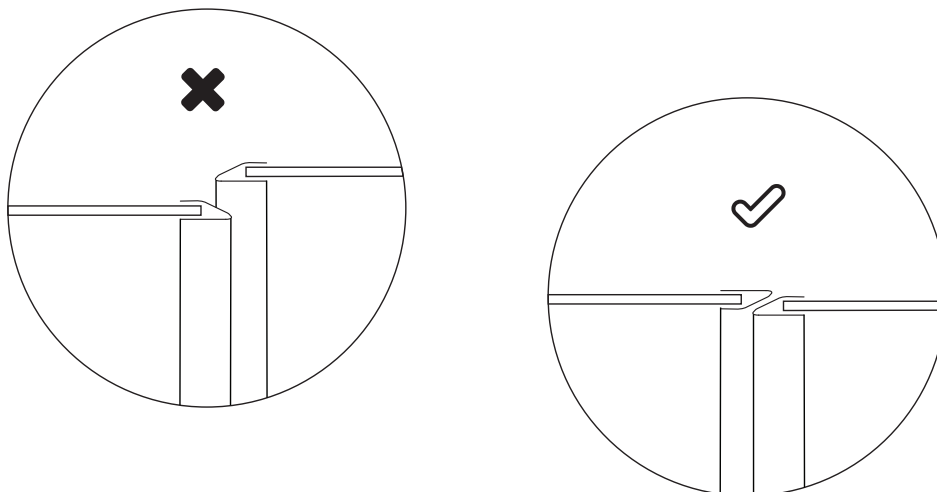




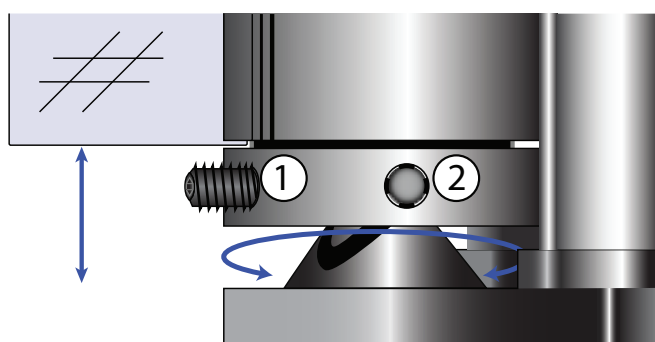
## 5.0



## 5.1

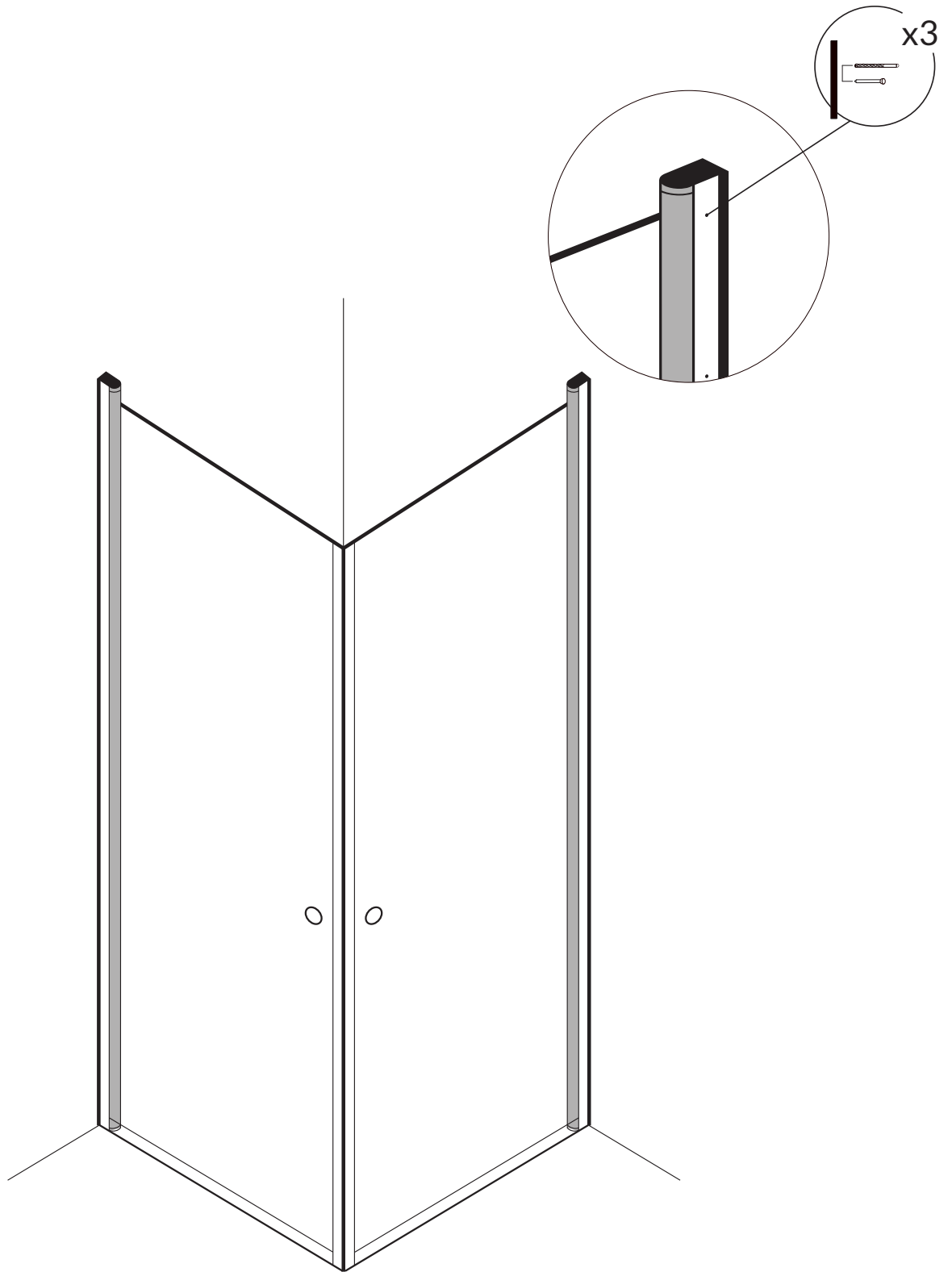


## 5.2



The 2 pinol screws are used to set the zero point of the raising/lowering feature

6



# MAINTENANCE OF SHOWER WALLS AND DOORS

The bathroom is the most tested environment of the home, and it has to be able to withstand both moisture and wear. In order to be able to enjoy your bathroom for many years, extra care and consideration is crucial. Maintenance and care is important, if you want to make sure, product warranty will cover you. The warranty presupposes that the advice regarding care and maintenance are followed.



Glass surfaces are covered in small pores, that can collect dirt, soap residue and limescale deposits over time, especially if the water where you live is rich in lime.

In order to preserve the beautiful sheen of the glass, it can be a good investment to care for the glass now and then.

keep the glass nice and clean is to wipe it with a rubber swab after each use. This prevents the building of limescale deposits. Against ingrained dirt, we recommend using a suitable detergent, that can be purchased at grocery stores and hardware stores.

Read the instructions of the detergent carefully to ensure, the product is suitable for the surfaces in question, and to make sure you use it correctly. Remember to be extra careful when cleaning frosted glass and that sponges and detergents with abrasives and similar effects can scratch and harm metal and glass surfaces.

The most effective and eco-friendly way to



If you ever need to replace a list over time, this is done very easily.

Swinging doors with raising/lowering fittings should be lubricated with water proof grease at least once a year.

## INSTALLATION

In addition to these installation instructions, we refer to rules regarding wet rooms.

## WARRANTY

We provide a 3-year warranty on all of our shower enclosures in regards to errors during production. På alle vores bruseafskærmninger yder vi 3 års garanti på evt. fabrikationsfejl. Sealing strips and magnetic strips are not covered by the warranty, as these are considered to be consumables.



Dansk Bademiljø

Sigma 8, Søften  
8382 Hinnerup  
Danmark