

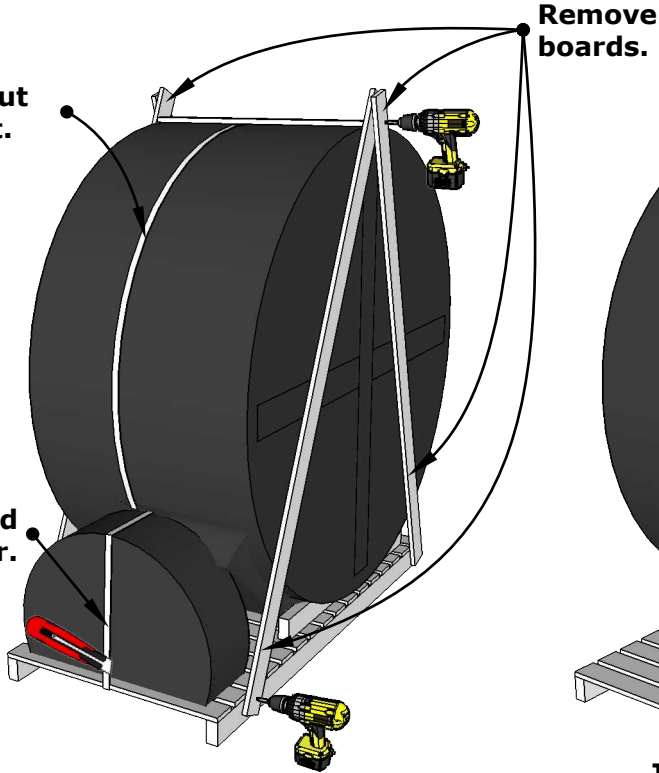
DeLux Hottube installation.

Serial No _____

NB! Don't cut hottube belt.

Cut belt and remove stair.

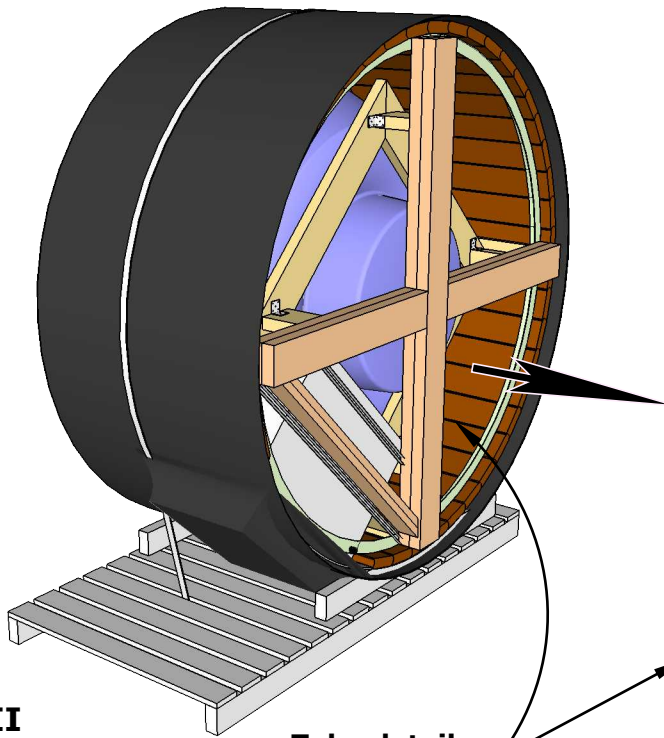
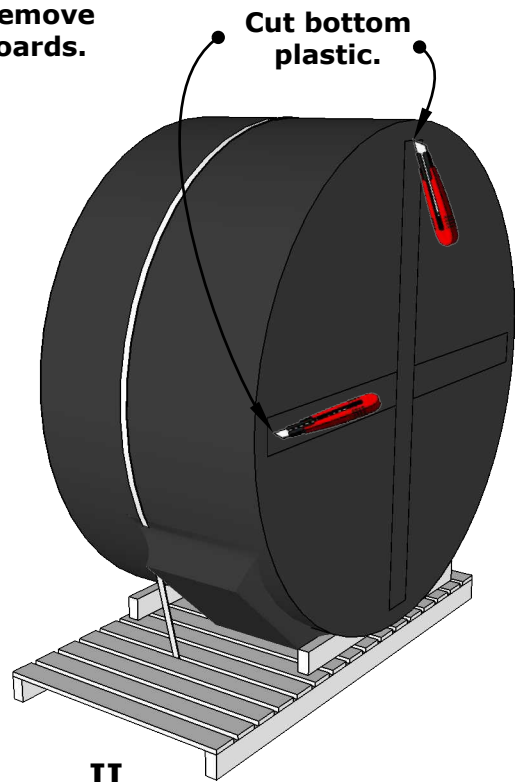
I



Remove boards.

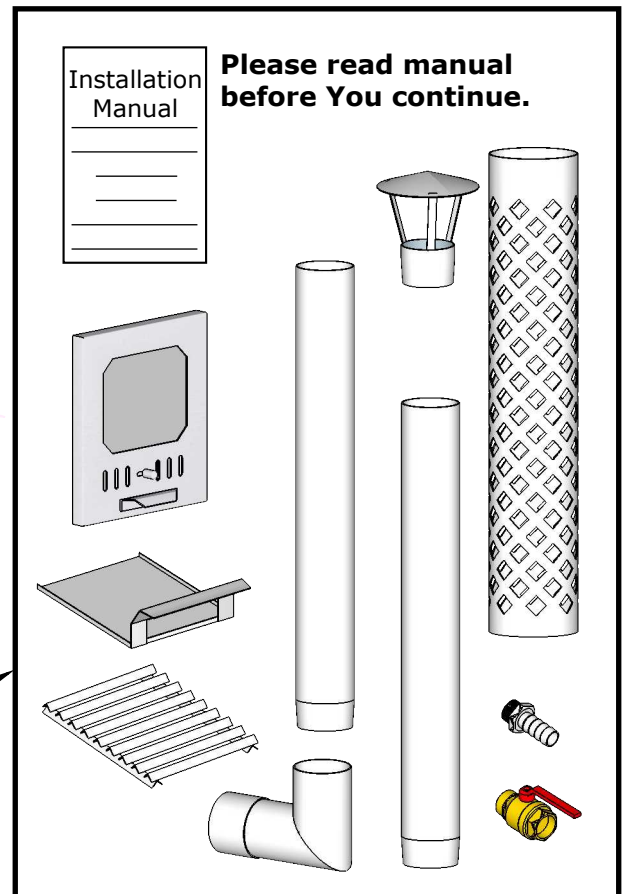
Cut bottom plastic.

II



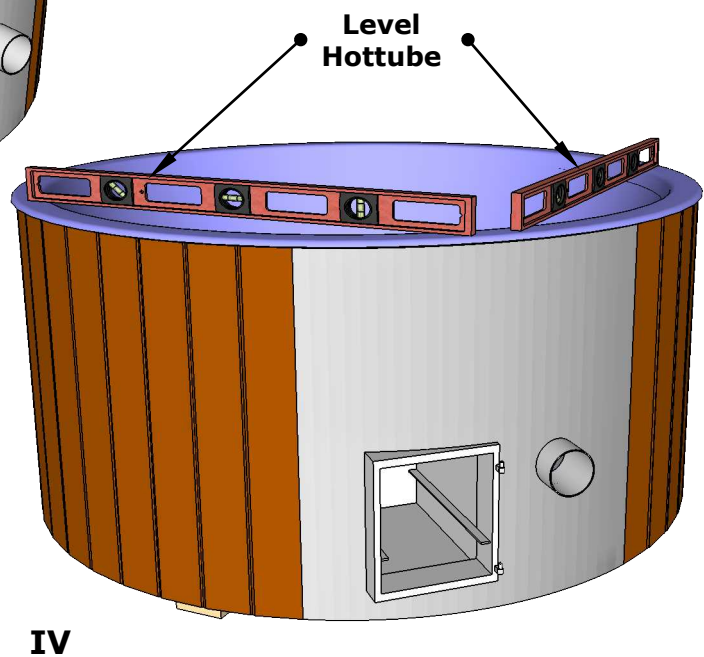
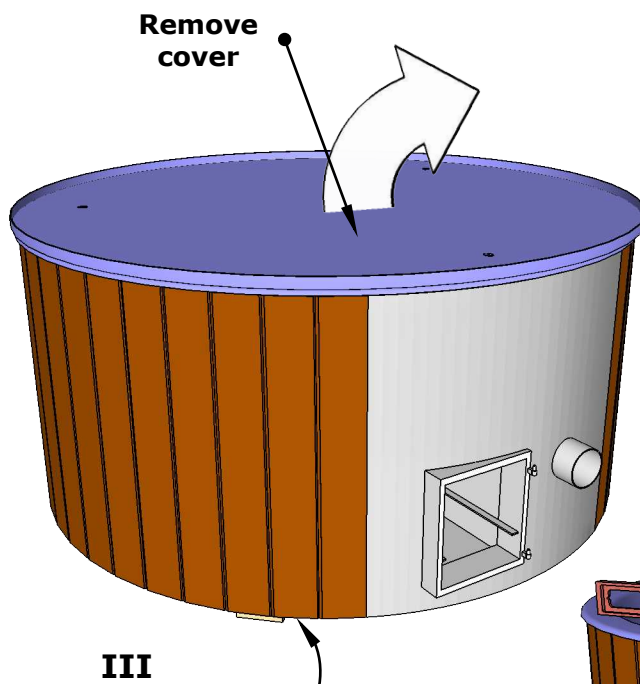
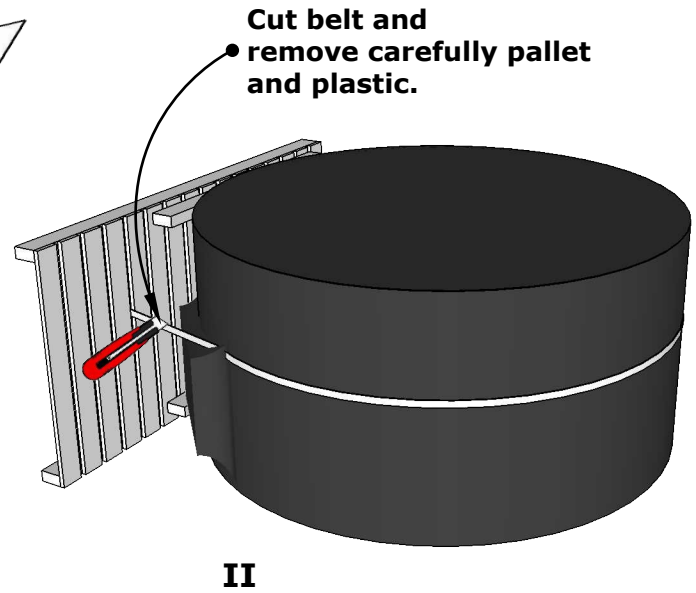
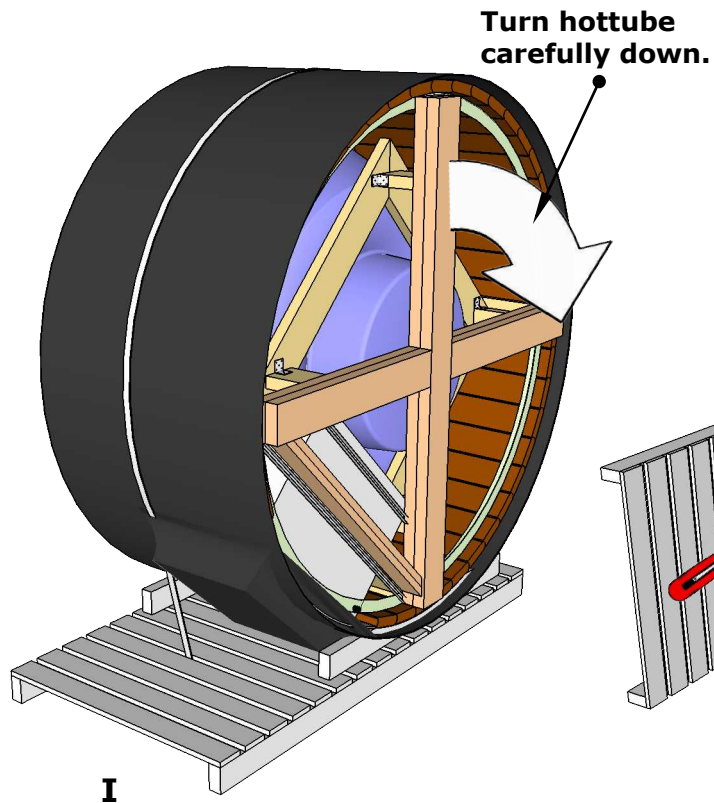
III

Take details out.



1.

DeLux Hottube installation.



DeLux Hottube installation.

Use waterlevel.

